



GX20 Compact I/O Station

- EtherCAT Slave module
- 16 channel Digital Input,PNP
- 2xRJ45,100BASE-TX
- Support Distributed Clock function
- Short-circuitreverse polarity protection
- Compact Module
- IP20 Protection degree



GXEC20

Technical specification

Parameters	
Protocol	EtherCAT
Connection	2 x RJ45
Physical layer	Ethernet
Transmission rate	100Mbps
Address	Software setting
DC function	Support
EtherCAT function	Modular description\CoE \automatic mapping

Power Supply	
Connection	Terminal connection,max. 1.5 mm ²
Voltage supply	24VDC(18...30VDC)
Current without loads	40mA

Digital input	
Number of input	16
Connection	Terminal connection, max. 0.5 mm ²
Input type	PNP
Input diagnostic type	Short-circuit diagnostic
Switching threshold	EN 61131-2 Type 1/3
Switching frequency	250Hz

General Data	
Protection degree	IP20
Dimensions(H x W x D)	92 x 58.2 x 37mm
Installation method	Guide rail type
Operating temperature	0 ~ 55°C
Storage temperature	-20 ~ 70°C

LED-indication	
PWR	Green:OK
RUN	Off:Non-working status
	Green:Operational status
LINK	Off:No link
	Flashing green:Link OK,communication established
	Green:Link OK,no communication
I/O	Green:Input or Output active

Order information	
Type	GXEC20-DI16S
Protocol	EtherCAT
Description	IP20 protection degree,Guide rail installation 0~55°C operating temperature

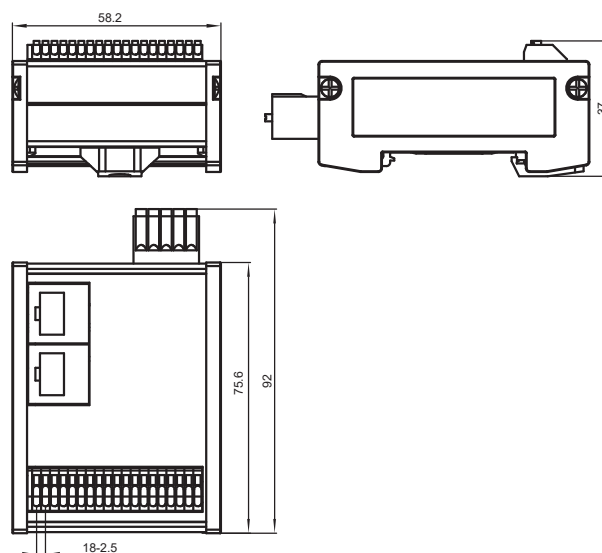
Power terminal

Terminal	V+	V+	PE	V-	V-
Description	+24V	+24V	PE	0V	0V

IO terminal

Terminal	1 ~ 16	+	+	-
Description	Input1 ~ Input16	V _{sensor}	V _{sensor}	0V

Dimension



- EtherCAT Slave module
- 16 channel Digital Input,NPN
- 2xRJ45,100BASE-TX
- Support Distributed Clock function
- Short-circuit\reverse polarity protection
- Compact Module
- IP20 Protection degree



GXEC20

Technical specification

Parameters	
Protocol	EtherCAT
Connection	2 x RJ45
Physical layer	Ethernet
Transmission rate	100Mbps
Address	Software setting
DC function	Support
EtherCAT function	Modular description\CoE lautomatic mapping

Power Supply	
Connection	Terminal connection,max. 1.5 mm ²
Voltage supply	24VDC(18...30VDC)
Current without loads	40mA

Digital input	
Number of input	16
Connection	Terminal connection, max. 0.5 mm ²
Input type	NPN
Input diagnostic type	Short-circuit diagnostic
Switching threshold	EN 61131-2 Type 1/3
Switching frequency	250Hz

General Data	
Protection degree	IP20
Dimensions(H x W x D)	92 x 58.2 x 37mm
Installation method	Guide rail type
Operating temperature	0 ~ 55°C
Storage temperature	-20 ~ 70°C

LED-indication	
PWR	Green:OK
RUN	Off:Non-working status
	Green:Operational status
LINK	Off:No link
	Flashing green:Link OK,communication established
	Green:Link OK,no communication
I/O	Green:Input or Output active

Order information	
Type	GXEC20-DI16S-N
Protocol	EtherCAT
Description	IP20 protection degree,Guide rail installation 0~55°C operating temperature

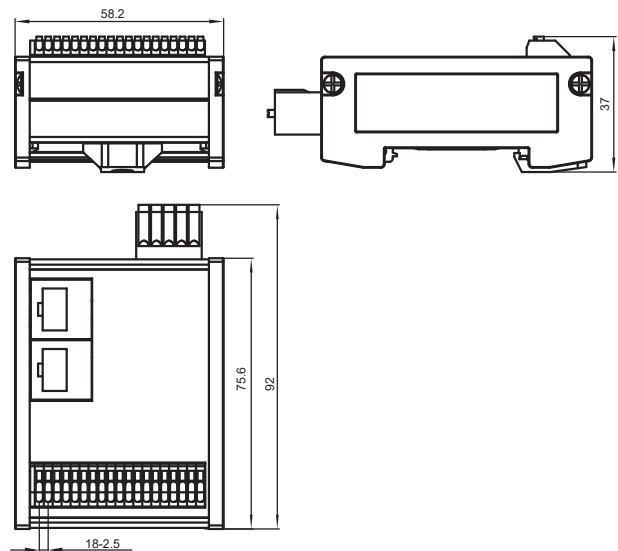
Power terminal

Terminal	V+	V+	PE	V-	V-
Description	+24V	+24V	PE	0V	0V

IO terminal

Terminal	1 ~ 16	+	+	-
Description	Input1 ~ Input16	V _{sensor}	V _{sensor}	0V

Dimension



GXEC20 ETHERCAT MODULE

GXEC20

- EtherCAT Slave module
- 32 channel Digital Input,PNP
- 2xRJ45,100BASE-TX
- Support Distributed Clock function
- Short-circuitreverse polarity protection
- Compact Module
- IP20 Protection degree



Technical specification

Parameters	
Protocol	EtherCAT
Connection	2 x RJ45
Physical layer	Ethernet
Transmission rate	100Mbps
Address	Software setting
DC function	Support
EtherCAT function	Modular description\CoE \automatic mapping

Power Supply	
Connection	Terminal connection,max. 1.5 mm ²
Voltage supply	24VDC(18...30VDC)
Current without loads	40mA

Digital input	
Number of input	32
Connection	Terminal connection, max. 0.5 mm ²
Input type	PNP
Input diagnostic type	Short-circuit diagnostic
Switching threshold	EN 61131-2 Type 1/3
Switching frequency	250Hz

General Data	
Protection degree	IP20
Dimensions(H x W x D)	92 x 104.5 x 37mm
Installation method	Guide rail type
Operating temperature	0 ~ 55°C
Storage temperature	-20 ~ 70°C

LED-indication	
PWR	Green:OK
RUN	Off:Non-working status
	Green:Operational status
LINK	Off:No link
	Flashing green:Link OK,communication established
	Green:Link OK,no communication
I/O	Green:Input or Output active

Order information	
Type	GXEC20-DI32S
Protocol	EtherCAT
Description	IP20 protection degree,Guide rail installation 0~55°C operating temperature

Power terminal

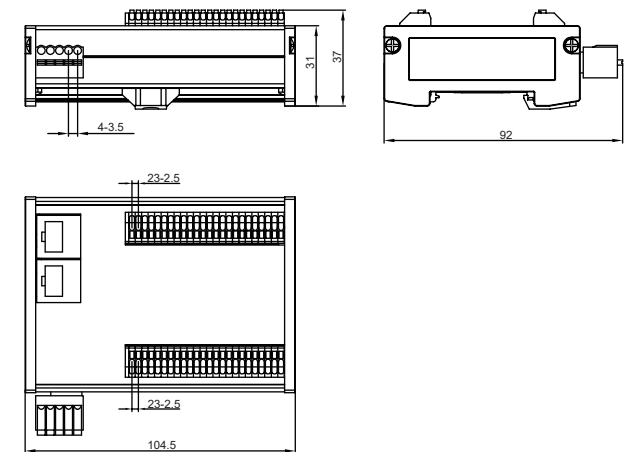
Terminal	V+	V+	PE	V-	V-
Description	+24V	+24V	PE	0V	0V

IO terminal

Terminal	+	+	+	+	-	-	-	-	1~16
Description	Vsensor	Vsensor	Vsensor	Vsensor	0V	0V	0V	0V	Input 1~16

Terminal	+	+	+	+	-	-	-	-	17~32
Description	Vsensor	Vsensor	Vsensor	Vsensor	0V	0V	0V	0V	Input 17~32

Dimension



- EtherCAT Slave module
- 32 channel Digital Input,NPN
- 2xRJ45,100BASE-TX
- Support Distributed Clock function
- Short-circuit\reverse polarity protection
- Compact Module
- IP20 Protection degree



GXEC20

Technical specification

Parameters	
Protocol	EtherCAT
Connection	2 x RJ45
Physical layer	Ethernet
Transmission rate	100Mbps
Address	Software setting
DC function	Support
EtherCAT function	Modular description\CoE \automatic mapping

Power Supply	
Connection	Terminal connection,max. 1.5 mm ²
Voltage supply	24VDC(18...30VDC)
Current without loads	40mA

Digital input	
Number of input	32
Connection	Terminal connection, max. 0.5 mm ²
Input type	NPN
Input diagnostic type	Short-circuit diagnostic
Switching threshold	EN 61131-2 Type 1/3
Switching frequency	250Hz

General Data	
Protection degree	IP20
Dimensions(H x W x D)	92 x 104.5 x 37mm
Installation method	Guide rail type
Operating temperature	0 ~ 55°C
Storage temperature	-20 ~ 70°C

LED-indication	
PWR	Green:OK
RUN	Off:Non-working status
	Green:Operational status
LINK	Off:No link
	Flashing green:Link OK,communication established
	Green:Link OK,no communication
I/O	Green:Input or Output active

Order information	
Type	GXEC20-DI32S-N
Protocol	EtherCAT
Description	IP20 protection degree,Guide rail installation 0~55°C operating temperature

Power terminal

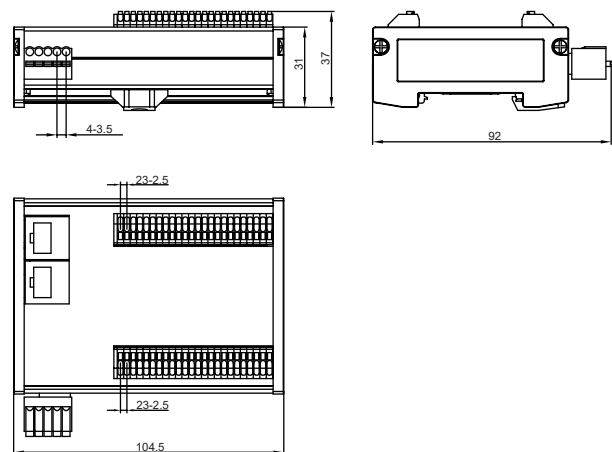
Terminal	V+	V+	PE	V-	V-
Description	+24V	+24V	PE	0V	0V

IO terminal

Terminal	+	+	+	+	-	-	-	-	1~16
Description	V _{sensor}	V _{sensor}	V _{sensor}	V _{sensor}	0V	0V	0V	0V	Input 1-16

Terminal	+	+	+	+	-	-	-	-	17-32
Description	V _{sensor}	V _{sensor}	V _{sensor}	V _{sensor}	0V	0V	0V	0V	Input 17-32

Dimension



- EtherCAT Slave module
- 16 channel Digital Output, PNP, 0.5A
- 2xRJ45, 100BASE-TX
- Support Distributed Clock function
- Short-circuit/reverse polarity protection
- Compact Module
- IP20 Protection degree



Technical specification

Parameters	
Protocol	EtherCAT
Connection	2 x RJ45
Physical layer	Ethernet
Transmission rate	100Mbps
Address	Software setting
DC function	Support
EtherCAT function	Modular description\CoE \automatic mapping

Power Supply	
Connection	Terminal connection, max. 1.5 mm ²
Voltage supply	24VDC(18...30VDC)
Current without loads	40mA

Digital Output	
Number of input	16
Connection	Terminal connection, max. 0.5 mm ²
Output type	PNP
Output diagnostic type	Group diagnosis
Output voltage	24VDC
Output current/channel	0.5A/ch
Load type	Resistive, inductive, lamp load

General Data	
Protection degree	IP20
Dimensions(H x W x D)	92 x 58.2 x 37mm
Installation method	Guide rail type
Operating temperature	0 ~ 55°C
Storage temperature	-20 ~ 70°C

LED-indication	
PWR	Green:OK
AUX	Green:Auxiliary power supply OK
RUN	Off:Non-working status
	Green:Operational status
LINK	Off:No link
	Flashing green:Link OK,communication established
	Green:Link OK,no communication
I/O	Green:Input or Output active

Order information	
Type	GXEC20-DO16S
Protocol	EtherCAT
Description	IP20 protection degree, Guide rail installation 0~55°C operating temperature

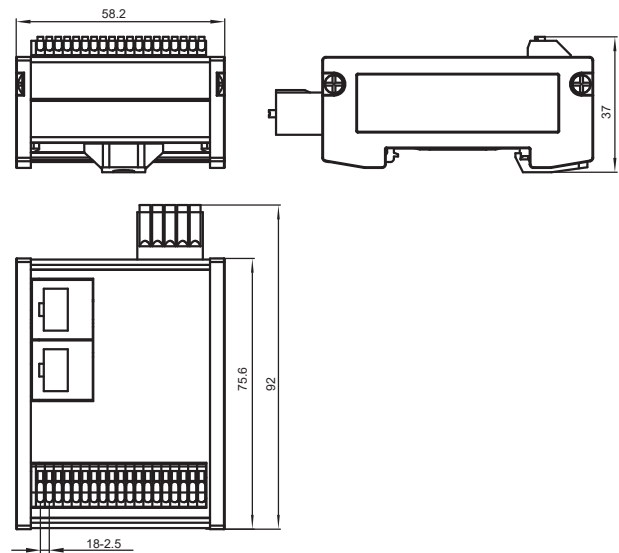
Power terminal

Terminal	V+	V+	PE	V-	V-
Description	+24V	+24V	PE	0V	0V

IO terminal

Terminal	1 ~ 16	+	+	-
Description	Output1 ~ Output16	AUX+	AUX+	0V

Dimension



- EtherCAT Slave module
- 16 channel Digital Output,NPN,0.5A
- 2xRJ45,100BASE-TX
- Support Distributed Clock function
- Short-circuit\reverse polarity protection
- Compact Module
- IP20 Protection degree



GXEC20

Technical specification

Parameters	
Protocol	EtherCAT
Connection	2 x RJ45
Physical layer	Ethernet
Transmission rate	100Mbps
Address	Software setting
DC function	Support
EtherCAT function	Modular description\CoE \automatic mapping

Power Supply	
Connection	Terminal connection,max. 1.5 mm ²
Voltage supply	24VDC(18...30VDC)
Current without loads	40mA

Digital Output	
Number of input	16
Connection	Terminal connection, max. 0.5 mm ²
Output type	NPN
Output diagnostic type	Group diagnosis
Output voltage	0V
Output current/channel	0.5A/ch
Load type	Resistive,inductive,lamp load

General Data	
Protection degree	IP20
Dimensions(H x W x D)	92 x 58.2 x 37mm
Installation method	Guide rail type
Operating temperature	0 ~ 55°C
Storage temperature	-20 ~ 70°C

LED-indication	Green:OK
PWR	Green:Auxiliary power supply OK
AUX	Off:Non-working status
RUN	Green:Operational status
LINK	Off:No link
	Flashing green:Link OK,communication established
	Green:Link OK,no communication
I/O	Green:Input or Output active

Order information	
Type	GXEC20-DO16S-N
Protocol	EtherCAT
Description	IP20 protection degree,Guide rail installation 0~55°C operating temperature

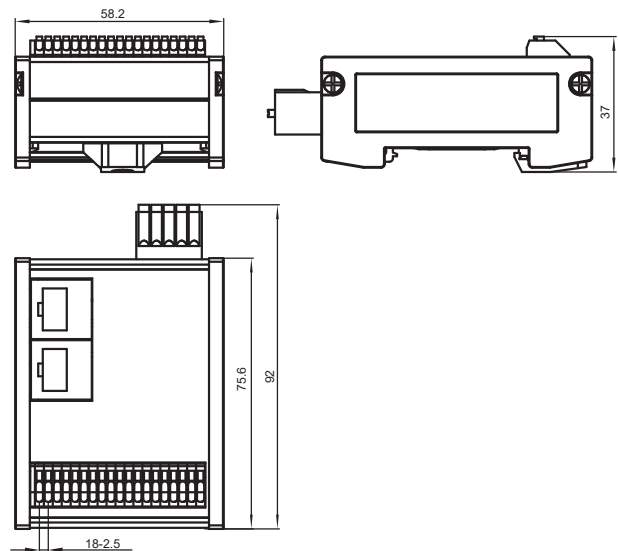
Power terminal

Terminal	V+	V+	PE	V-	V-
Description	+24V	+24V	PE	0V	0V

IO terminal

Terminal	1 ~ 16	+	+	-
Description	Output1 ~ Output16	AUX+	AUX+	0V

Dimension



- EtherCAT Slave module
- 32 channel Digital Output, PNP, 0.5A
- 2xRJ45, 100BASE-TX
- Support Distributed Clock function
- Short-circuit/reverse polarity protection
- Compact Module
- IP20 Protection degree



Technical specification

Parameters	
Protocol	EtherCAT
Connection	2 x RJ45
Physical layer	Ethernet
Transmission rate	100Mbps
Address	Software setting
DC function	Support
EtherCAT function	Modular description\CoE \automatic mapping

Power Supply	
Connection	Terminal connection, max. 1.5 mm ²
Voltage supply	24VDC(18...30VDC)
Current without loads	40mA

Digital Output	
Number of input	32
Connection	Terminal connection, max. 0.5 mm ²
Output type	PNP
Output diagnostic type	Group diagnosis
Output voltage	24VDC
Output current/channel	0.5A/ch
Load type	Resistive, inductive, lamp load

General Data	
Protection degree	IP20
Dimensions(H x W x D)	92 x 104.5 x 37mm
Installation method	Guide rail type
Operating temperature	0 ~ 55°C
Storage temperature	-20 ~ 70°C

LED-indication	
PWR	Green:OK
AUX	Green:Auxiliary power supply OK
RUN	Off:Non-working status
	Green:Operational status
LINK	Off:No link
	Flashing green:Link OK,communication established
	Green:Link OK,no communication
I/O	Green:Input or Output active

Order information	
Type	GXEC20-DO32S
Protocol	EtherCAT
Description	IP20 protection degree, Guide rail installation 0~55°C operating temperature

Power terminal

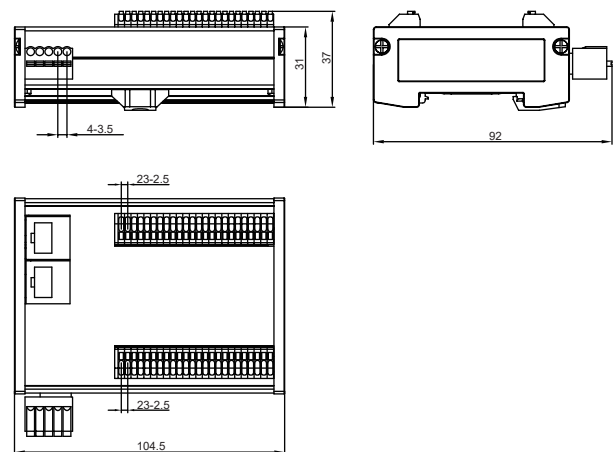
Terminal	V+	V+	PE	V-	V-
Description	+24V	+24V	PE	0V	0V

IO terminal

Terminal	+	+	+	+	-	-	-	-	1~16
Description	AUX	AUX	AUX	AUX	0V	0V	0V	0V	Output 1~16

Terminal	+	+	+	+	-	-	-	-	17~32
Description	AUX	AUX	AUX	AUX	0V	0V	0V	0V	Output 17~32

Dimension



- EtherCAT Slave module
- 32 channel Digital Output,NPN,0.5A
- 2xRJ45,100BASE-TX
- Support Distributed Clock function
- Short-circuit\reverse polarity protection
- Compact Module
- IP20 Protection degree



GXEC20

Technical specification

Parameters	
Protocol	EtherCAT
Connection	2 x RJ45
Physical layer	Ethernet
Transmission rate	100Mbps
Address	Software setting
DC function	Support
EtherCAT function	Modular description\CoE \automatic mapping

Power Supply	
Connection	Terminal connection,max. 1.5 mm ²
Voltage supply	24VDC(18...30VDC)
Current without loads	40mA

Digital Output	
Number of input	32
Connection	Terminal connection, max. 0.5 mm ²
Output type	NPN
Output diagnostic type	Group diagnosis
Output voltage	0V
Output current/channel	0.5A/ch
Load type	Resistive,inductive,lamp load

General Data	
Protection degree	IP20
Dimensions(H x W x D)	92 x 104.5 x 37mm
Installation method	Guide rail type
Operating temperature	0 ~ 55°C
Storage temperature	-20 ~ 70°C

LED-indication	
PWR	Green:OK
AUX	Green:Auxiliary power supply OK
RUN	Off:Non-working status
	Green:Operational status
LINK	Off:No link
	Flashing green:Link OK,communication established
	Green:Link OK,no communication
I/O	Green:Input or Output active

Order information	
Type	GXEC20-DO32S-N
Protocol	EtherCAT
Description	IP20 protection degree,Guide rail installation 0~55°C operating temperature

Power terminal

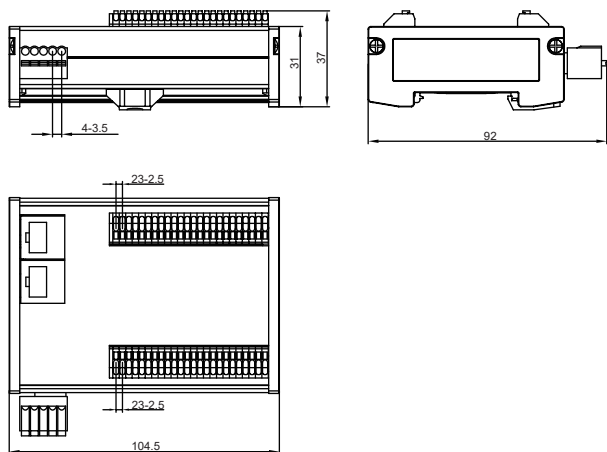
Terminal	V+	V+	PE	V-	V-
Description	+24V	+24V	PE	0V	0V

IO terminal

Terminal	+	+	+	+	-	-	-	-	1~16
Description	AUX	AUX	AUX	AUX	0V	0V	0V	0V	Output 1~16

Terminal	+	+	+	+	-	-	-	-	17~32
Description	AUX	AUX	AUX	AUX	0V	0V	0V	0V	Output 17~32

Dimension



GXEC20 ETHERCAT MODULE

- EtherCAT Slave module
- 16 channel Digital Input,PNP;16 channel Digital Output,PNP,0.5A
- 2xRJ45,100BASE-TX
- Support Distributed Clock function
- Short-circuit\reverse polarity protection
- Compact Module
- IP20 Protection degree



GXEC20

Technical specification

Parameters	
Protocol	EtherCAT
Connection	2 x RJ45
Physical layer	Ethernet
Transmission rate	100Mbps
Address	Software setting
DC function	Support
EtherCAT function	Modular description\CoE \automatic mapping

Power Supply	
Connection	Terminal connection,max. 1.5 mm ²
Voltage supply	24VDC(18...30VDC)
Current without loads	40mA

Digital input	
Number of input	16
Connection	Terminal connection, max. 0.5 mm ²
Input type	PNP
Input diagnostic type	Short-circuit diagnostic
Switching threshold	EN 61131-2 Type 1/3
Switching frequency	250Hz

Digital Output	
Number of input	16
Connection	Terminal connection, max. 0.5 mm ²
Output type	PNP
Output diagnostic type	Group diagnosis
Output voltage	24VDC
Output current/channel	0.5A/ch
Load type	Resistive,inductive,lamp load

General Data	
Protection degree	IP20
Dimensions(H x W x D)	92x104.5 x37mm
Installation method	Guide rail type
Operating temperature	0 ~ 55°C
Storage temperature	-20 ~ 70°C

LED-indication	
PWR	Green:OK
AUX	Green:Auxiliary power supply OK
RUN	Off:Non-working status Green:Operational status
LINK	Off:No link Flashing green:Link OK,communication established Green:Link OK,no communication
I/O	Green:Input or Output active

Order information	
Type	GXEC20-DI16DO16S
Protocol	EtherCAT
Description	IP20 protection degree,Guide rail installation 0~55°C operating temperature

Power terminal

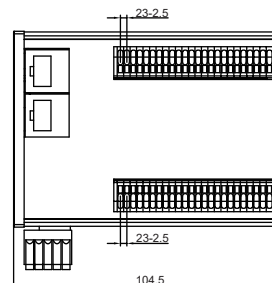
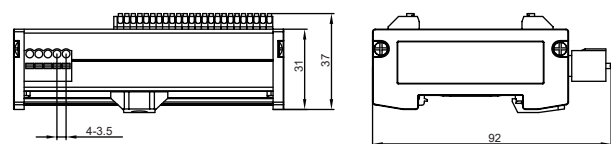
Terminal	V+	V+	PE	V-	V-
Description	+24V	+24V	PE	0V	0V

IO terminal

Terminal	+	+	+	+	-	-	-	-	1~16
Description	V _{sensor}	V _{sensor}	V _{sensor}	V _{sensor}	0V	0V	0V	0V	Input 1~16

Terminal	+	+	+	+	-	-	-	-	1~16
Description	AUX	AUX	AUX	AUX	0V	0V	0V	0V	Output 1~16

Dimension



- EtherCAT Slave module
- 16 channel Digital Input,NPN;16 channel Digital Output,NPN,0.5A
- 2xRJ45,100BASE-TX
- Support Distributed Clock function
- Short-circuit\reverse polarity protection
- Compact Module
- IP20 Protection degree



Technical specification

Parameters	
Protocol	EtherCAT
Connection	2 x RJ45
Physical layer	Ethernet
Transmission rate	100Mbps
Address	Software setting
DC function	Support
EtherCAT function	Modular description\CoE \automatic mapping

Power Supply	
Connection	Terminal connection,max. 1.5 mm ²
Voltage supply	24VDC(18...30VDC)
Current without loads	40mA

Digital input	
Number of input	16
Connection	Terminal connection, max. 0.5 mm ²
Input type	NPN
Input diagnostic type	Short-circuit diagnostic
Switching threshold	EN 61131-2 Type 1/3
Switching frequency	250Hz

Digital Output	
Number of input	16
Connection	Terminal connection, max. 0.5 mm ²
Output type	NPN
Output diagnostic type	Group diagnosis
Output voltage	0V
Output current/channel	0.5A/ch
Load type	Resistive,inductive,lamp load

General Data	
Protection degree	IP20
Dimensions(H x W x D)	92x104.5 x37mm
Installation method	Guide rail type
Operating temperature	0 ~ 55°C
Storage temperature	-20 ~ 70°C

LED-indication	
PWR	Green:OK
AUX	Green:Auxiliary power supply OK
RUN	Off:Non-working status Green:Operational status
LINK	Off:No link Flashing green:Link OK,communication established Green:Link OK,no communication
I/O	Green:Input or Output active

Order information	
Type	GXEC20-DI16DO16S-N
Protocol	EtherCAT
Description	IP20 protection degree,Guide rail installation 0~55°C operating temperature

Power terminal

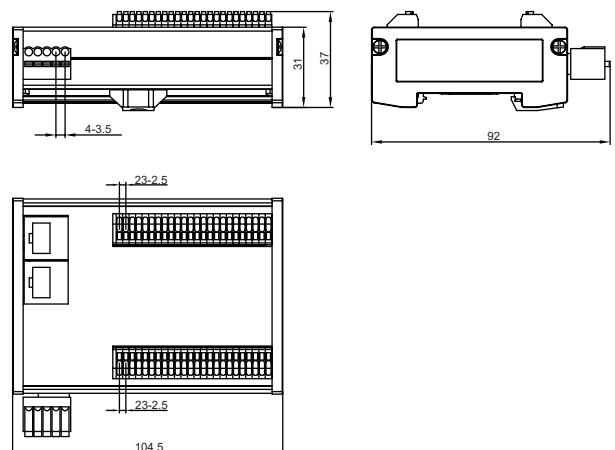
Terminal	V+	V+	PE	V-	V-
Description	+24V	+24V	PE	0V	0V

IO terminal

Terminal	+	+	+	+	-	-	-	-	1~16
Description	V _{sensor}	V _{sensor}	V _{sensor}	V _{sensor}	0V	0V	0V	0V	Input 1~16

Terminal	+	+	+	+	-	-	-	-	1~16
Description	AUX	AUX	AUX	AUX	0V	0V	0V	0V	Output 1~16

Dimension



GXEC20 ETHERCAT MODULE

- EtherCAT Slave module
- 16 configurable Digital channels, PNP inputs/outputs 0.5 A
- 2xRJ45, 100BASE-TX
- Support Distributed Clock function
- Short-circuit\reverse polarity protection
- Compact Module
- IP20 Protection degree



GXEC20

Technical specification

Parameters	
Protocol	EtherCAT
Connection	2 x RJ45
Physical layer	Ethernet
Transmission rate	100Mbps
Address	Software setting
DC function	Support
EtherCAT function	Modular description\CoE \automatic mapping

Power Supply	
Connection	Terminal connection, max. 1.5 mm ²
Voltage supply	24VDC(18...30VDC)
Current without loads	40mA

Digital input	
Number of input	0~16
Connection	Terminal connection, max. 0.5 mm ²
Input type	PNP
Input diagnostic type	Short-circuit diagnostic
Switching threshold	EN 61131-2 Type 1/3
Switching frequency	250Hz

Digital Output	
Number of input	0~16
Connection	Terminal connection, max. 0.5 mm ²
Output type	PNP
Output diagnostic type	Group diagnosis
Output voltage	24VDC
Output current/channel	0.5A/ch
Load type	Resistive, inductive, lamp load

General Data	
Protection degree	IP20
Dimensions(H x W x D)	92x104.5 x37mm
Installation method	Guide rail type
Operating temperature	0 ~ 55°C
Storage temperature	-20 ~ 70°C

LED-indication	
PWR	Green:OK
AUX	Green:Auxiliary power supply OK
RUN	Off:Non-working status Green:Operational status
LINK	Off:No link Flashing green:Link OK, communication established Green:Link OK, no communication
I/O	Green:Input or Output active

Order information	
Type	GXEC20-DIO16S
Protocol	EtherCAT
Description	IP20 protection degree, Guide rail installation 0~55°C operating temperature

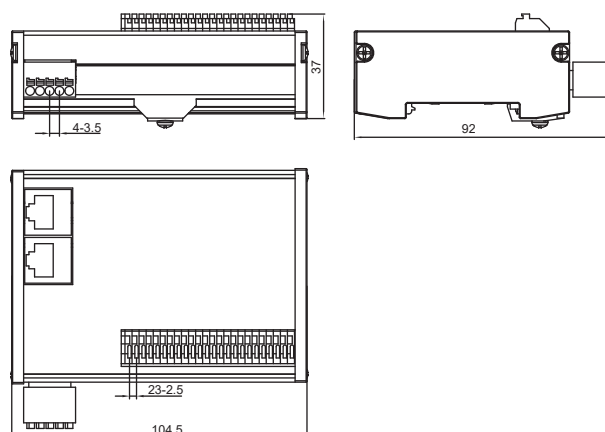
Power terminal

Terminal	V+	V+	PE	V-	V-
Description	+24V	+24V	PE	0V	0V

IO terminal

Terminal	+	+	+	+	-	-	-	-	1~16
Description	AUX	AUX	AUX	AUX	0V	0V	0V	0V	Input/Output 1~16

Dimension



- EtherCAT Slave module
- 16 configurable Digital channels,NPN inputs/outputs 0.5 A
- 2xRJ45,100BASE-TX
- Support Distributed Clock function
- Short-circuit\reverse polarity protection
- Compact Module
- IP20 Protection degree



Technical specification

Parameters	
Protocol	EtherCAT
Connection	2 x RJ45
Physical layer	Ethernet
Transmission rate	100Mbps
Address	Software setting
DC function	Support
EtherCAT function	Modular description\CoE \automatic mapping

Power Supply	
Connection	Terminal connection,max. 1.5 mm ²
Voltage supply	24VDC(18...30VDC)
Current without loads	40mA

Digital input	
Number of input	0~16
Connection	Terminal connection, max. 0.5 mm ²
Input type	NPN
Input diagnostic type	Short-circuit diagnostic
Switching threshold	EN 61131-2 Type 1/3
Switching frequency	250Hz

Digital Output	
Number of input	0~16
Connection	Terminal connection, max. 0.5 mm ²
Output type	NPN
Output diagnostic type	Group diagnosis
Output voltage	0V
Output current/channel	0.5A/ch
Load type	Resistive,inductive,lamp load

General Data	
Protection degree	IP20
Dimensions(H x W x D)	92x104.5 x37mm
Installation method	Guide rail type
Operating temperature	0 ~ 55°C
Storage temperature	-20 ~ 70°C

LED-indication	
PWR	Green:OK
AUX	Green:Auxiliary power supply OK
RUN	Off:Non-working status Green:Operational status
LINK	Off:No link Flashing green:Link OK,communication established Green:Link OK,no communication
I/O	Green:Input or Output active

Order information	
Type	GXEC20-DIO16S-N
Protocol	EtherCAT
Description	IP20 protection degree,Guide rail installation 0~55°C operating temperature

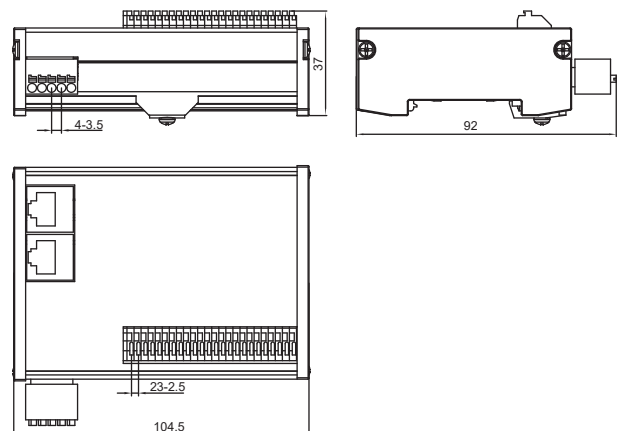
Power terminal

Terminal	V+	V+	PE	V-	V-
Description	+24V	+24V	PE	0V	0V

IO terminal

Terminal	+	+	+	+	-	-	-	-	1~16
Description	AUX	AUX	AUX	AUX	0V	0V	0V	0V	Input/Output 1~16

Dimension



GXEI20 ETHERNET/IP MODULE

GXEI20

- EtherNET/IP Slave module
- 16 channel Digital Input,PNP
- Support DLR
- 2xRJ45,Integrated Ethernet switch function
- Short-circuit\reverse polarity protection
- Compact Module
- IP20 Protection degree



EtherNET/IP

Technical specification

Parameters	
Protocol	EtherNET/IP
Connection	2 x RJ45
Physical layer	Ethernet
Transmission rate	10/100Mbps
Address	Software setting or rotating switch
DLR	Support
Protocol transmission model	Hermit message transfer,display message transfer
DHCP	Rotating switch
Assembly instance	Inputs: 100 ; Outputs: 150 ; Configuration: 1

Power Supply	
Connection	Terminal connection,max. 1.5 mm ²
Voltage supply	24VDC(18...30VDC)
Current without loads	80mA

Digital input	
Number of input	16
Connection	Terminal connection, max. 0.5 mm ²
Input type	PNP
Input diagnostic type	Short-circuit diagnostic
Switching threshold	EN 61131-2 Type 1/3
Switching frequency	250Hz

General Data	
Protection degree	IP20
Dimensions(H x W x D)	92 x 104.5 x 37mm
Installation method	Guide rail type
Operating temperature	0 ~ 55°C
Storage temperature	-20 ~ 70°C

LED-indication	
PWR	Green:OK
MS	Green:Normal operation;Red:Major fault
NS	Green:Online,connection established
	Flashing green:Online,no connection established
	Red:Duplicate IP address;Flashing red:Time out
LINK	Green:Link OK,no communication
	Flashing green:Link OK,communication established
	Off:No link
I/O	Green:Input or Output active

Order information	
Type	GXEI20-DI16S
Protocol	EtherNET/IP
Description	IP20 protection degree,Guide rail installation 0~55°C operating temperature

Power terminal

Terminal	V+	V+	PE	V-	V-
Description	+24V	+24V	PE	0V	0V

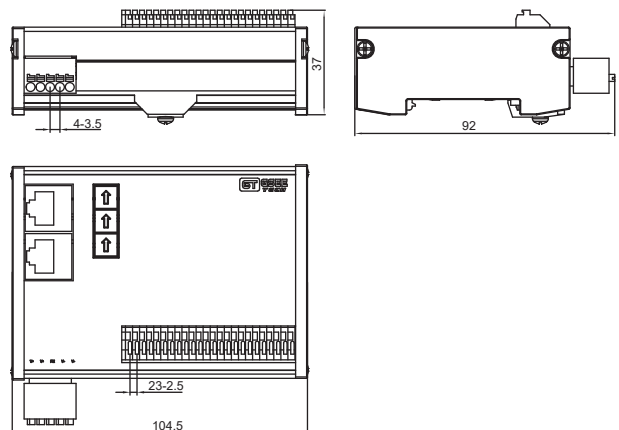
IO terminal

Terminal	+	+	+	+	-	-	-	-	1~16
Description	V _{sensor}	V _{sensor}	V _{sensor}	V _{sensor}	0V	0V	0V	0V	Input 1~16

Address settings

x100 x10 x1	0	- DHCP	
	1 ... 254	- IP Address (192.168.0.xxx)	
IP Address	255	- DHCP	

Dimension



- EtherNET/IP Slave module
- 16 channel Digital Input,NPN
- Support DLR
- 2xRJ45,Integrated Ethernet switch function
- Short-circuit\reverse polarity protection
- Compact Module
- IP20 Protection degree



EtherNet/IP

GXEI20

Technical specification

Parameters	
Protocol	EtherNET/IP
Connection	2 x RJ45
Physical layer	Ethernet
Transmission rate	10/100Mbps
Address	Software setting or rotating switch
DLR	Support
Protocol transmission model	Hermit message transfer,display message transfer
DHCP	Rotating switch
Assembly instance	Inputs: 100 ; Outputs: 150 ; Configuration: 1

Power Supply	
Connection	Terminal connection,max. 1.5 mm ²
Voltage supply	24VDC(18...30VDC)
Current without loads	80mA

Digital input	
Number of input	16
Connection	Terminal connection, max. 0.5 mm ²
Input type	NPN
Input diagnostic type	Short-circuit diagnostic
Switching threshold	EN 61131-2 Type 1/3
Switching frequency	250Hz

General Data	
Protection degree	IP20
Dimensions(H x W x D)	92 x 104.5 x 37mm
Installation method	Guide rail type
Operating temperature	0 ~ 55°C
Storage temperature	-20 ~ 70°C

LED-indication	
PWR	Green:OK
MS	Green:Normal operation;Red:Major fault
NS	Green:Online,connection established
	Flashing green:Online,no connection established
	Red:Duplicate IP address;Flashing red:Time out
LINK	Green:Link OK,no communication
	Flashing green:Link OK,communication established
	Off:No link
I/O	Green:Input or Output active

Order information	
Type	GXEI20-DI16S-N
Protocol	EtherNET/IP
Description	IP20 protection degree,Guide rail installation 0~55°C operating temperature


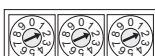

Power terminal

Terminal	V+	V+	PE	V-	V-
Description	+24V	+24V	PE	0V	0V

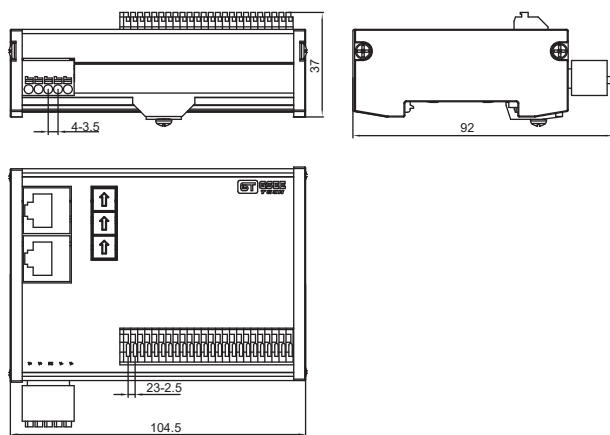
IO terminal

Terminal	+	+	+	+	-	-	-	-	1~16
Description	V _{sensor}	V _{sensor}	V _{sensor}	V _{sensor}	0V	0V	0V	0V	Input 1~16

Address settings

x100 x10 x1	0	- DHCP	
	1 ... 254	- IP Address (192.168.0.xxx)	
IP Address	255	- DHCP	

Dimension



GXEI20 ETHERNET/IP MODULE

GXEI20

- EtherNET/IP Slave module
- 32 channel Digital Input,PNP
- Support DLR
- 2xRJ45,Integrated Ethernet switch function
- Short-circuit\reverse polarity protection
- Compact Module
- IP20 Protection degree



EtherNet/IP

Technical specification

Parameters	
Protocol	EtherNET/IP
Connection	2 x RJ45
Physical layer	Ethernet
Transmission rate	10/100Mbps
Address	Software setting or rotating switch
DLR	Support
Protocol transmission model	Hermit message transfer,display message transfer
DHCP	Rotating switch
Assembly instance	Inputs: 100 ; Outputs: 150 ; Configuration: 1

Power Supply

Connection	Terminal connection,max. 1.5 mm ²
Voltage supply	24VDC(18...30VDC)
Current without loads	80mA

Digital input

Number of input	32
Connection	Terminal connection, max. 0.5 mm ²
Input type	PNP
Input diagnostic type	Short-circuit diagnostic
Switching threshold	EN 61131-2 Type 1/3
Switching frequency	250Hz

General Data

Protection degree	IP20
Dimensions(H x W x D)	92 x 104.5 x 37mm
Installation method	Guide rail type
Operating temperature	0 ~ 55°C
Storage temperature	-20 ~ 70°C

LED-indication

PWR	Green:OK
MS	Green:Normal operation;Red:Major fault
NS	Green:Online,connection established
	Flashing green:Online,no connection established
	Red:Duplicate IP address;Flashing red:Time out
LINK	Green:Link OK,no communication
	Flashing green:Link OK,communication established
	Off:No link
I/O	Green:Input or Output active

Order information

Type	GXEI20-DI32S
Protocol	EtherNET/IP
Description	IP20 protection degree,Guide rail installation 0~55°C operating temperature

Power terminal


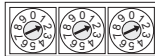

Terminal	V+	V+	PE	V-	V-
Description	+24V	+24V	PE	0V	0V

IO terminal

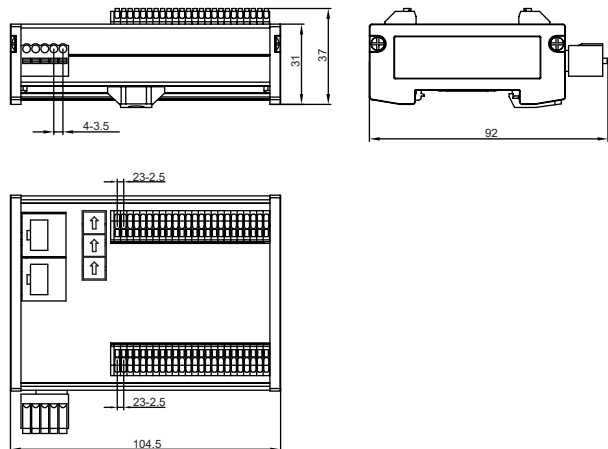
Terminal	+	+	+	+	-	-	-	-	1~16
Description	V _{sensor}	V _{sensor}	V _{sensor}	V _{sensor}	0V	0V	0V	0V	Input 1~16

Terminal	+	+	+	+	-	-	-	-	17~32
Description	V _{sensor}	V _{sensor}	V _{sensor}	V _{sensor}	0V	0V	0V	0V	Input 17~32

Address settings

x100 x10 x1	0	- DHCP	
	1 ... 254	- IP Address (192.168.0.xxx)	
IP Address	255	- DHCP	

Dimension



- EtherNET/IP Slave module
- 32 channel Digital Input,NPN
- Support DLR
- 2xRJ45,Integrated Ethernet switch function
- Short-circuit\reverse polarity protection
- Compact Module
- IP20 Protection degree



EtherNet/IP

GXEI20

Technical specification

Parameters	
Protocol	EtherNET/IP
Connection	2 x RJ45
Physical layer	Ethernet
Transmission rate	10/100Mbps
Address	Software setting or rotating switch
DLR	Support
Protocol transmission model	Hermit message transfer,display message transfer
DHCP	Rotating switch
Assembly instance	Inputs: 100 ; Outputs: 150 ; Configuration: 1

Power Supply	
Connection	Terminal connection,max. 1.5 mm ²
Voltage supply	24VDC(18...30VDC)
Current without loads	80mA

Digital input	
Number of input	32
Connection	Terminal connection, max. 0.5 mm ²
Input type	NPN
Input diagnostic type	Short-circuit diagnostic
Switching threshold	EN 61131-2 Type 1/3
Switching frequency	250Hz

General Data	
Protection degree	IP20
Dimensions(H x W x D)	92 x 104.5 x 37mm
Installation method	Guide rail type
Operating temperature	0 ~ 55°C
Storage temperature	-20 ~ 70°C

LED-indication	
PWR	Green:OK
MS	Green:Normal operation;Red:Major fault
NS	Green:Online,connection established
	Flashing green:Online,no connection established
	Red:Duplicate IP address;Flashing red:Time out
LINK	Green:Link OK,no communication
	Flashing green:Link OK,communication established
	Off:No link
I/O	Green:Input or Output active

Order information	
Type	GXEI20-DI32S-N
Protocol	EtherNET/IP
Description	IP20 protection degree,Guide rail installation 0~55°C operating temperature

Power terminal

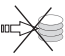
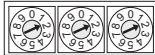

Terminal	V+	V+	PE	V-	V-
Description	+24V	+24V	PE	0V	0V

IO terminal

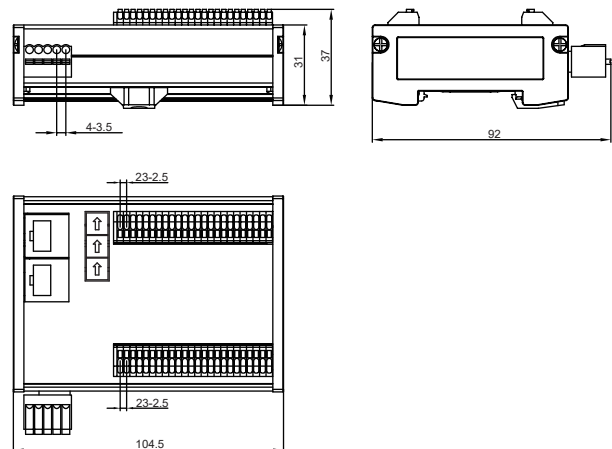
Terminal	+	+	+	+	-	-	-	-	1~16
Description	V _{sensor}	V _{sensor}	V _{sensor}	V _{sensor}	0V	0V	0V	0V	Input 1~16

Terminal	+	+	+	+	-	-	-	-	17~32
Description	V _{sensor}	V _{sensor}	V _{sensor}	V _{sensor}	0V	0V	0V	0V	Input 17~32

Address settings

x100 x10 x1	0	- DHCP	
	1 ... 254	- IP Address (192.168.0.xxx)	
IP Address	255	- DHCP	

Dimension



GXEI20 ETHERNET/IP MODULE

- EtherNET/IP Slave module
- 16 channel Digital Output, PNP, 0.5A
- Support DLR
- 2xRJ45, Integrated Ethernet switch function
- Short-circuit/reverse polarity protection
- Compact Module
- IP20 Protection degree



EtherNet/IP

GXEI20

Technical specification

Parameters	
Protocol	EtherNET/IP
Connection	2 x RJ45
Physical layer	Ethernet
Transmission rate	10/100Mbps
Address	Software setting or rotating switch
DLR	Support
Protocol transmission model	Hermit message transfer, display message transfer
DHCP	Rotating switch
Assembly instance	Inputs: 100 ; Outputs: 150 ; Configuration: 1

Power Supply	
Connection	Terminal connection, max. 1.5 mm ²
Voltage supply	24VDC(18...30VDC)
Current without loads	80mA

Digital Output	
Number of input	16
Connection	Terminal connection, max. 0.5 mm ²
Output type	PNP
Output diagnostic type	Group diagnosis
Output voltage	24VDC
Output current/channel	0.5A/ch
Load type	Resistive, inductive, lamp load

General Data	
Protection degree	IP20
Dimensions(H x W x D)	92 x 104.5 x 37mm
Installation method	Guide rail type
Operating temperature	0 ~ 55°C
Storage temperature	-20 ~ 70°C

LED-indication	
PWR	Green:OK
AUX	Green:Auxiliary power supply OK
MS	Green:Normal operation;Red:Major fault
NS	Green:Online,connection established
	Flashing green:Online,no connection established
	Red:Duplicate IP address;Flashing red:Time out
LINK	Green:Link OK,no communication
	Flashing green:Link OK,communication established
	Off:No link
I/O	Green:Input or Output active

Order information	
Type	GXEI20-DO16S
Protocol	EtherNET/IP
Description	IP20 protection degree, Guide rail installation 0~55°C operating temperature

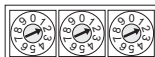

Power terminal

Terminal	V+	V+	PE	V-	V-
Description	+24V	+24V	PE	0V	0V

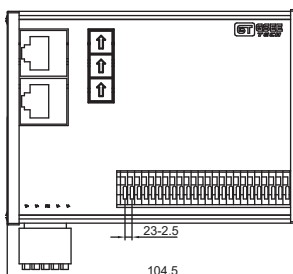
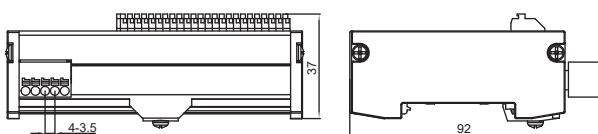
IO terminal

Terminal	+	+	+	+	-	-	-	-	1~16
Description	AUX	AUX	AUX	AUX	0V	0V	0V	0V	Output 1~16

Address settings

x100 x10 x1	0	- DHCP	
	1 ... 254	- IP Address (192.168.0.xxx)	
IP Address	255	- DHCP	

Dimension



- EtherNET/IP Slave module
- 16 channel Digital Output,NPN,0.5A
- Support DLR
- 2xRJ45,Integrated Ethernet switch function
- Short-circuit\reverse polarity protection
- Compact Module
- IP20 Protection degree



EtherNet/IP

GXEI20

Technical specification

Parameters	
Protocol	EtherNET/IP
Connection	2 x RJ45
Physical layer	Ethernet
Transmission rate	10/100Mbps
Address	Software setting or rotating switch
DLR	Support
Protocol transmission model	Hermit message transfer,display message transfer
DHCP	Rotating switch
Assembly instance	Inputs: 100 ; Outputs: 150 ; Configuration: 1

Order information	
Type	GXEI20-DO16S-N
Protocol	EtherNET/IP
Description	IP20 protection degree,Guide rail installation 0~55°C operating temperature

Power Supply	
Connection	Terminal connection,max. 1.5 mm ²
Voltage supply	24VDC(18...30VDC)
Current without loads	80mA

Power terminal

Terminal	V+	V+	PE	V-	V-
Description	+24V	+24V	PE	0V	0V

Digital Output	
Number of input	16
Connection	Terminal connection, max. 0.5 mm ²
Output type	NPN
Output diagnostic type	Group diagnosis
Output voltage	0V
Output current/channel	0.5A/ch
Load type	Resistive,inductive,lamp load

IO terminal

Terminal	+	+	+	+	-	-	-	-	1~16
Description	AUX	AUX	AUX	AUX	0V	0V	0V	0V	Output 1~16

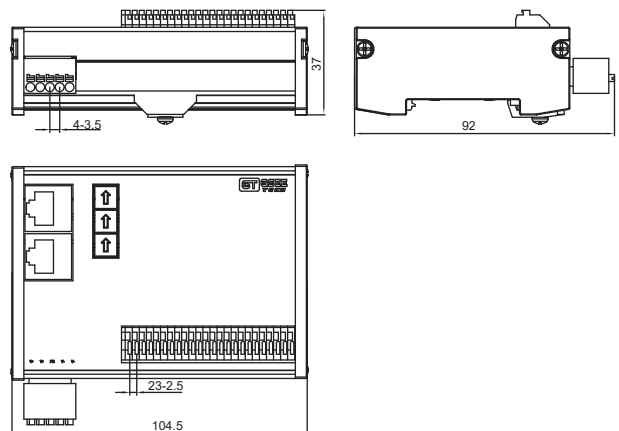
General Data	
Protection degree	IP20
Dimensions(H x W x D)	92 x 104.5 x 37mm
Installation method	Guide rail type
Operating temperature	0 ~ 55°C
Storage temperature	-20 ~ 70°C

Address settings

x100 x10 x1	0	- DHCP	
	1 ... 254	- IP Address (192.168.0.xxx)	
IP Address	255	- DHCP	

LED-indication	
PWR	Green:OK
AUX	Green:Auxiliary power supply OK
MS	Green:Normal operation;Red:Major fault
NS	Green:Online,connection established
	Flashing green:Online,no connection established
	Red:Duplicate IP address;Flashing red:Time out
LINK	Green:Link OK,no communication
	Flashing green:Link OK,communication established
	Off:No link
I/O	Green:Input or Output active

Dimension



GXEI20 ETHERNET/IP MODULE

- EtherNET/IP Slave module
- 32 channel Digital Output, PNP, 0.5A
- Support DLR
- 2xRJ45, Integrated Ethernet switch function
- Short-circuit/reverse polarity protection
- Compact Module
- IP20 Protection degree



EtherNET/IP

GXEI20

Technical specification

Parameters	
Protocol	EtherNET/IP
Connection	2 x RJ45
Physical layer	Ethernet
Transmission rate	10/100Mbps
Address	Software setting or rotating switch
DLR	Support
Protocol transmission model	Hermit message transfer, display message transfer
DHCP	Rotating switch
Assembly instance	Inputs: 100 ; Outputs: 150 ; Configuration: 1

Power Supply	
Connection	Terminal connection, max. 1.5 mm ²
Voltage supply	24VDC(18...30VDC)
Current without loads	80mA

Digital Output	
Number of input	32
Connection	Terminal connection, max. 0.5 mm ²
Output type	PNP
Output diagnostic type	Group diagnosis
Output voltage	24VDC
Output current/channel	0.5A/ch
Load type	Resistive, inductive, lamp load

General Data	
Protection degree	IP20
Dimensions(H x W x D)	92 x 104.5 x 37mm
Installation method	Guide rail type
Operating temperature	0 ~ 55°C
Storage temperature	-20 ~ 70°C

LED-indication	
PWR	Green:OK
AUX	Green:Auxiliary power supply OK
MS	Green:Normal operation;Red:Major fault
NS	Green:Online, connection established
	Flashing green:Online, no connection established
	Red:Duplicate IP address;Flashing red:Time out
LINK	Green:Link OK, no communication
	Flashing green:Link OK, communication established
	Off:No link
I/O	Green:Input or Output active

Order information	
Type	GXEI20-DO32S
Protocol	EtherNET/IP
Description	IP20 protection degree, Guide rail installation 0~55°C operating temperature

Power terminal

Terminal	V+	V+	PE	V-	V-
Description	+24V	+24V	PE	0V	0V

IO terminal

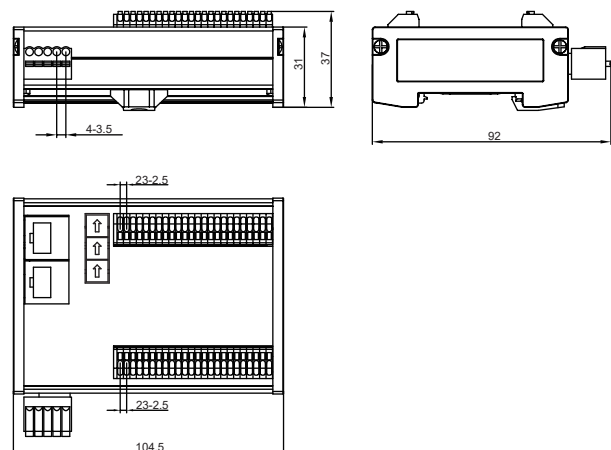
Terminal	+	+	+	+	-	-	-	-	1~16
Description	AUX	AUX	AUX	AUX	0V	0V	0V	0V	Output 1~16

Terminal	+	+	+	+	-	-	-	-	17~32
Description	AUX	AUX	AUX	AUX	0V	0V	0V	0V	Output 17~32

Address settings

x100 x10 x1	0	- DHCP	
	1 ... 254	- IP Address (192.168.0.xxx)	
IP Address	255	- DHCP	

Dimension



- EtherNET/IP Slave module
- 32 channel Digital Output,NPN,0.5A
- Support DLR
- 2xRJ45,Integrated Ethernet switch function
- Short-circuit\reverse polarity protection
- Compact Module
- IP20 Protection degree



EtherNet/IP

GXEI20

Technical specification

Parameters	
Protocol	EtherNET/IP
Connection	2 x RJ45
Physical layer	Ethernet
Transmission rate	10/100Mbps
Address	Software setting or rotating switch
DLR	Support
Protocol transmission model	Hermit message transfer,display message transfer
DHCP	Rotating switch
Assembly instance	Inputs: 100 ; Outputs: 150 ; Configuration: 1

Order information	
Type	GXEI20-DO32S-N
Protocol	EtherNET/IP
Description	IP20 protection degree,Guide rail installation 0~55°C operating temperature

Power Supply	
Connection	Terminal connection,max. 1.5 mm ²
Voltage supply	24VDC(18...30VDC)
Current without loads	80mA

Power terminal

Terminal	V+	V+	PE	V-	V-
Description	+24V	+24V	PE	0V	0V

Digital Output	
Number of input	32
Connection	Terminal connection, max. 0.5 mm ²
Output type	NPN
Output diagnostic type	Group diagnosis
Output voltage	0V
Output current/channel	0.5A/ch
Load type	Resistive,inductive,lamp load


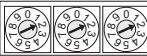
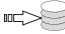
IO terminal

Terminal	+	+	+	+	-	-	-	-	1~16
Description	AUX	AUX	AUX	AUX	0V	0V	0V	0V	Output 1~16

Terminal	+	+	+	+	-	-	-	-	17~32
Description	AUX	AUX	AUX	AUX	0V	0V	0V	0V	Output 17~32

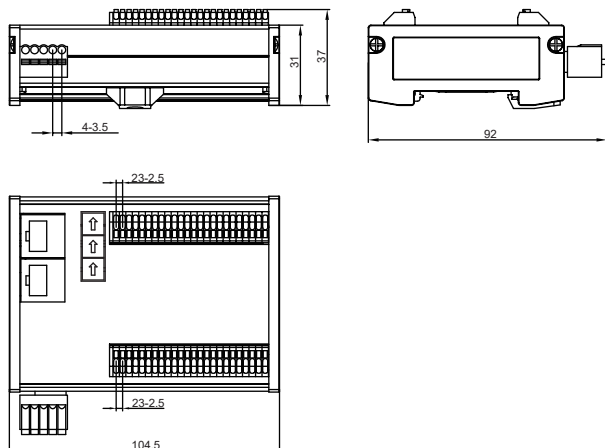
General Data	
Protection degree	IP20
Dimensions(H x W x D)	92 x 104.5 x 37mm
Installation method	Guide rail type
Operating temperature	0 ~ 55°C
Storage temperature	-20 ~ 70°C

Address settings

x100 x10 x1	0	- DHCP	
	1 ... 254	- IP Address (192.168.0.xxx)	
IP Address	255	- DHCP	

LED-indication	
PWR	Green:OK
AUX	Green:Auxiliary power supply OK
MS	Green:Normal operation;Red:Major fault
NS	Green:Online,connection established
	Flashing green:Online,no connection established
	Red:Duplicate IP address;Flashing red:Time out
LINK	Green:Link OK,no communication
	Flashing green:Link OK,communication established
	Off:No link
I/O	Green:Input or Output active

Dimension



GXEI20 ETHERNET/IP MODULE

- EtherNET/IP Slave module
- 16 channel Digital Input,PNP;16 channel Digital Output,PNP,0.5A
- Support DLR
- 2xRJ45,Integrated Ethernet switch function
- Short-circuit\reverse polarity protection
- Compact Module
- IP20 Protection degree



EtherNet/IP

GXEI20

Technical specification

Parameters	
Protocol	EtherNET/IP
Connection	2 x RJ45
Physical layer	Ethernet
Transmission rate	10/100Mbps
Address	Software setting or rotating switch
DLR	Support
Protocol transmission model	Hermit message transfer,display message transfer
DHCP	Rotating switch
Assembly instance	Inputs: 100 ; Outputs: 150 ; Configuration: 1

Order information	
Type	GXEI20-DI16DO16S
Protocol	EtherNET/IP
Description	IP20 protection degree,Guide rail installation 0~55°C operating temperature

Power terminal

Terminal	V+	V+	PE	V-	V-
Description	+24V	+24V	PE	0V	0V

Power Supply	
Connection	Terminal connection,max. 1.5 mm ²
Voltage supply	24VDC(18...30VDC)
Current without loads	80mA

IO terminal

Terminal	+	+	+	+	-	-	-	-	1~16
Description	V _{sensor}	V _{sensor}	V _{sensor}	V _{sensor}	0V	0V	0V	0V	Input 1~16

Digital input	
Number of input	16
Connection	Terminal connection, max. 0.5 mm ²
Input type	PNP
Input diagnostic type	Short-circuit diagnostic
Switching threshold	EN 61131-2 Type 1/3
Switching frequency	250Hz

Terminal	+	+	+	+	-	-	-	-	1~16
Description	AUX	AUX	AUX	AUX	0V	0V	0V	0V	Output 1~16

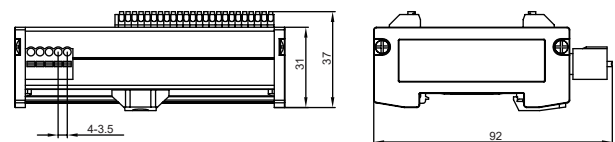
Digital Output	
Number of input	16
Connection	Terminal connection, max. 0.5 mm ²
Output type	PNP
Output diagnostic type	Group diagnosis
Output voltage	24VDC
Output current/channel	0.5A/ch
Load type	Resistive,inductive,lamp load

Address settings

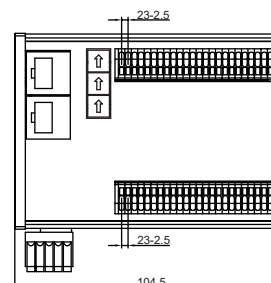
x100 x10 x1	0	- DHCP	
	1 ... 254	- IP Address (192.168.0.xxx)	
IP Address	255	- DHCP	

General Data	
Protection degree	IP20
Dimensions(H x W x D)	92 x 104.5 x 37mm
Installation method	Guide rail type
Operating temperature	0 ~ 55°C
Storage temperature	-20 ~ 70°C

Dimension



LED-indication	
PWR	Green:OK
AUX	Green:Auxiliary power supply OK
MS	Green:Normal operation;Red:Major fault
NS	Green:Online,connection established Flashing green:Online,no connection established Red:Duplicate IP address;Flashing red:Time out
LINK	Green:Link OK,no communication Flashing green:Link OK,communication established Off:No link
I/O	Green:Input or Output active



- EtherNET/IP Slave module
- 16 channel Digital Input,NPN;16 channel Digital Output,NPN,0.5A
- Support DLR
- 2xRJ45,Integrated Ethernet switch function
- Short-circuit\reverse polarity protection
- Compact Module
- IP20 Protection degree



EtherNet/IP

GXEI20

Technical specification

Parameters	
Protocol	EtherNET/IP
Connection	2 x RJ45
Physical layer	Ethernet
Transmission rate	10/100Mbps
Address	Software setting or rotating switch
DLR	Support
Protocol transmission model	Hermit message transfer,display message transfer
DHCP	Rotating switch
Assembly instance	Inputs: 100 ; Outputs: 150 ; Configuration: 1

Order information	
Type	GXEI20-DI16DO16S-N
Protocol	EtherNET/IP
Description	IP20 protection degree,Guide rail installation 0~55°C operating temperature

Power terminal

Terminal	V+	V+	PE	V-	V-
Description	+24V	+24V	PE	0V	0V

Power Supply	
Connection	Terminal connection,max. 1.5 mm ²
Voltage supply	24VDC(18...30VDC)
Current without loads	80mA

IO terminal

Terminal	+	+	+	+	-	-	-	-	1~16
Description	V _{sensor}	V _{sensor}	V _{sensor}	V _{sensor}	0V	0V	0V	0V	Input 1~16

Digital input	
Number of input	16
Connection	Terminal connection,max. 0.5 mm ²
Input type	NPN
Input diagnostic type	Short-circuit diagnostic
Switching threshold	EN 61131-2 Type 1/3
Switching frequency	250Hz

Terminal	+	+	+	+	-	-	-	-	1~16
Description	AUX	AUX	AUX	AUX	0V	0V	0V	0V	Output 1~16

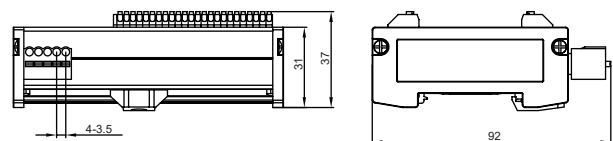
Digital Output	
Number of input	16
Connection	Terminal connection,max. 0.5 mm ²
Output type	NPN
Output diagnostic type	Group diagnosis
Output voltage	0V
Output current/channel	0.5A/ch
Load type	Resistive,inductive,lamp load

Address settings

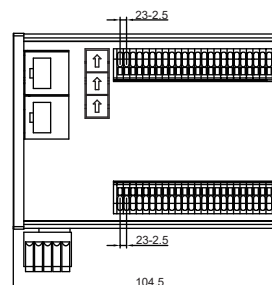
x100 x10 x1	0	- DHCP	
	1 ... 254	- IP Address (192.168.0.xxx)	
IP Address	255	- DHCP	

General Data	
Protection degree	IP20
Dimensions(H x W x D)	92 x 104.5 x 37mm
Installation method	Guide rail type
Operating temperature	0 ~ 55°C
Storage temperature	-20 ~ 70°C

Dimension



LED-indication	
PWR	Green:OK
AUX	Green:Auxiliary power supply OK
MS	Green:Normal operation;Red:Major fault
NS	Green:Online,connection established Flashing green:Online,no connection established Red:Duplicate IP address;Flashing red:Time out
LINK	Green:Link OK,no communication Flashing green:Link OK,communication established Off:No link
I/O	Green:Input or Output active



GXEI20 ETHERNET/IP MODULE

- EtherNET/IP Slave module
- 16 configurable Digital channels, PNP inputs/outputs 0.5 A
- Support DLR
- 2xRJ45, Integrated Ethernet switch function
- Short-circuit reverse polarity protection
- Compact Module
- IP20 Protection degree



EtherNet/IP

GXEI20

Technical specification

Parameters	
Protocol	EtherNET/IP
Connection	2 x RJ45
Physical layer	Ethernet
Transmission rate	10/100Mbps
Address	Software setting or rotating switch
DLR	Support
Protocol transmission model	Hermit message transfer, display message transfer
DHCP	Rotating switch
Assembly instance	Inputs: 100 ; Outputs: 150 ; Configuration: 1

Order information	
Type	GXEI20-DIO16S
Protocol	EtherNET/IP
Description	IP20 protection degree, Guide rail installation 0~55°C operating temperature

Power terminal

Terminal	V+	V+	PE	V-	V-
Description	+24V	+24V	PE	0V	0V

Power Supply	
Connection	Terminal connection, max. 1.5 mm ²
Voltage supply	24VDC(18...30VDC)
Current without loads	80mA

IO terminal

Terminal	+	+	+	+	-	-	-	-	1~16
Description	AUX	AUX	AUX	AUX	0V	0V	0V	0V	Input/Output 1~16

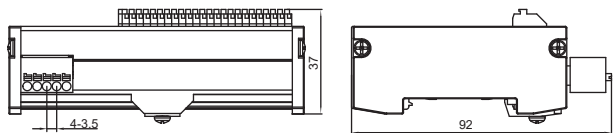
Digital input	
Number of input	0~16
Connection	Terminal connection, max. 0.5 mm ²
Input type	PNP
Input diagnostic type	Short-circuit diagnostic
Switching threshold	EN 61131-2 Type 1/3
Switching frequency	250Hz

Address settings

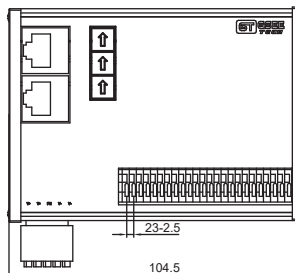
x100 x10 x1	0	- DHCP	
	1 ... 254	- IP Address (192.168.0.xxx)	
IP Address	255	- DHCP	

Digital Output	
Number of input	0~16
Connection	Terminal connection, max. 0.5 mm ²
Output type	PNP
Output diagnostic type	Group diagnosis
Output voltage	24VDC
Output current/channel	0.5A/ch
Load type	Resistive, inductive, lamp load

Dimension



General Data	
Protection degree	IP20
Dimensions(H x W x D)	92 x 104.5 x 37mm
Installation method	Guide rail type
Operating temperature	0 ~ 55°C
Storage temperature	-20 ~ 70°C



LED-indication	
PWR	Green:OK
AUX	Green:Auxiliary power supply OK
MS	Green:Normal operation;Red:Major fault
NS	Green:Online,connection established
	Flashing green:Online,no connection established
	Red:Duplicate IP address;Flashing red:Time out
LINK	Green:Link OK,no communication
	Flashing green:Link OK,communication established
	Off:No link
I/O	Green:Input or Output active

- EtherNET/IP Slave module
- 16 configurable Digital channels, NPN inputs/outputs 0.5 A
- Support DLR
- 2xRJ45, Integrated Ethernet switch function
- Short-circuit/reverse polarity protection
- Compact Module
- IP20 Protection degree



EtherNet/IP

GXEI20

Technical specification

Parameters	
Protocol	EtherNET/IP
Connection	2 x RJ45
Physical layer	Ethernet
Transmission rate	10/100Mbps
Address	Software setting or rotating switch
DLR	Support
Protocol transmission model	Hermit message transfer, display message transfer
DHCP	Rotating switch
Assembly instance	Inputs: 100 ; Outputs: 150 ; Configuration: 1

Order information	
Type	GXEI20-DIO16S-N
Protocol	EtherNET/IP
Description	IP20 protection degree, Guide rail installation 0~55°C operating temperature

Power terminal

Terminal	V+	V+	PE	V-	V-
Description	+24V	+24V	PE	0V	0V

Power Supply	
Connection	Terminal connection, max. 1.5 mm ²
Voltage supply	24VDC(18...30VDC)
Current without loads	80mA

IO terminal

Terminal	+	+	+	+	-	-	-	-	1~16
Description	AUX	AUX	AUX	AUX	0V	0V	0V	0V	Input/Output 1~16

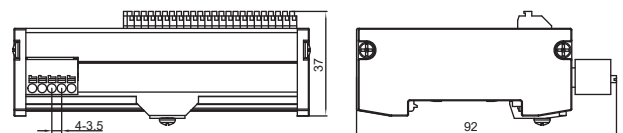
Digital input	
Number of input	0~16
Connection	Terminal connection, max. 0.5 mm ²
Input type	NPN
Input diagnostic type	Short-circuit diagnostic
Switching threshold	EN 61131-2 Type 1/3
Switching frequency	250Hz

Address settings

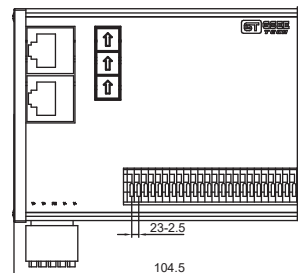
x100 x10 x1	0	- DHCP	
	1 ... 254	- IP Address (192.168.0.xxx)	
IP Address	255	- DHCP	

Digital Output	
Number of input	0~16
Connection	Terminal connection, max. 0.5 mm ²
Output type	NPN
Output diagnostic type	Group diagnosis
Output voltage	0V
Output current/channel	0.5A/ch
Load type	Resistive, inductive, lamp load

Dimension



General Data	
Protection degree	IP20
Dimensions(H x W x D)	92 x 104.5 x 37mm
Installation method	Guide rail type
Operating temperature	0 ~ 55°C
Storage temperature	-20 ~ 70°C



LED-indication	
PWR	Green:OK
AUX	Green:Auxiliary power supply OK
MS	Green:Normal operation;Red:Major fault
NS	Green:Online, connection established
	Flashing green:Online, no connection established
	Red:Duplicate IP address;Flashing red:Time out
LINK	Green:Link OK, no communication
	Flashing green:Link OK, communication established
	Off:No link
I/O	Green:Input or Output active

GXEN20 MODBUS TCP MODULE

- ModbusTCP Slave module
- 16 channel Digital Input,PNP
- 2xRJ45,Integrated Ethernet switch function
- TCP port: 502
- Short-circuit\reverse polarity protection
- Compact Module
- IP20 Protection degree



GXEN20

Technical specification

Parameters	
Protocol	Modbus TCP
Connection	2 x RJ45
Physical layer	Ethernet
Transmission rate	10/100Mbps
Address	Software setting or rotating switch
Function Code	1, 2, 3, 4, 5, 6, 15, 16, 23
Port	502

Power Supply	
Connection	Terminal connection,max. 1.5 mm ²
Voltage supply	24VDC (18...30VDC)
Current without loads	80mA

Digital input	
Number of input	16
Connection	Terminal connection, max. 0.5 mm ²
Input type	PNP
Input diagnostic type	Short-circuit diagnostic
Switching threshold	EN 61131-2 Type 1/3
Switching frequency	250Hz

General Data	
Protection degree	IP20
Dimensions(H x W x D)	92 x 104.5 x 37mm
Installation method	Guide rail type
Operating temperature	0 ~ 55°C
Storage temperature	-20 ~ 70°C

LED-indication	
PWR	Green: OK
MS	Green: Normal operation ; Red: Major fault
NS	Green: Receive at least one MODBUS message
	Flashing green: Wait for the first Modbus message
LINK	Red: Duplicate IP address; Flashing red: Time out
	Green: Link OK, no communication
	Flashing green: Link OK, communication established
I/O	Off: No link
	Green: Input or Output active

Order information	
Type	GXEN20-DI16S
Protocol	Modbus TCP
Description	IP20 protection degree, Guide rail installation 0~55°C operating temperature

Power terminal

Terminal	V+	V+	PE	V-	V-
Description	+24V	+24V	PE	0V	0V

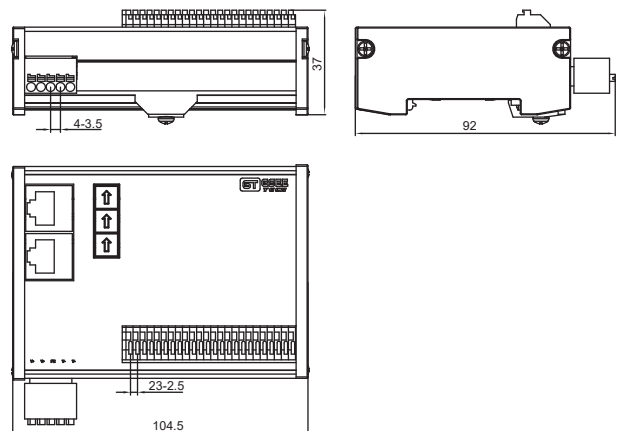
IO terminal

Terminal	+	+	+	+	-	-	-	-	1~16
Description	V _{sensor}	V _{sensor}	V _{sensor}	V _{sensor}	0V	0V	0V	0V	Input 1~16

Address settings

x100 x10 x1	0	- DHCP	
IP Address	1 ... 254	- IP Address (192.168.0.xxx)	
IP Address	255	- DHCP	

Dimension



- ModbusTCP Slave module
- 16 channel Digital Input,NPN
- 2xRJ45,Integrated Ethernet switch function
- TCP port: 502
- Short-circuit\reverse polarity protection
- Compact Module
- IP20 Protection degree



Technical specification

Parameters	
Protocol	Modbus TCP
Connection	2 x RJ45
Physical layer	Ethernet
Transmission rate	10/100Mbps
Address	Software setting or rotating switch
Function Code	1, 2, 3, 4, 5, 6, 15, 16, 23
Port	502

Power Supply	
Connection	Terminal connection,max. 1.5 mm ²
Voltage supply	24VDC (18...30VDC)
Current without loads	80mA

Digital input	
Number of input	16
Connection	Terminal connection, max. 0.5 mm ²
Input type	NPN
Input diagnostic type	Short-circuit diagnostic
Switching threshold	EN 61131-2 Type 1/3
Switching frequency	250Hz

General Data	
Protection degree	IP20
Dimensions(H x W x D)	92 x 104.5 x 37mm
Installation method	Guide rail type
Operating temperature	0 ~ 55°C
Storage temperature	-20 ~ 70°C

LED-indication	
PWR	Green: OK
MS	Green: Normal operation ; Red: Major fault
NS	Green: Receive at least one MODBUS message
	Flashing green: Wait for the first Modbus message
	Red: Duplicate IP address; Flashing red: Time out
LINK	Green: Link OK, no communication
	Flashing green: Link OK, communication established
	Off: No link
I/O	Green: Input or Output active

Order information	
Type	GXEN20-DI16S-N
Protocol	Modbus TCP
Description	IP20 protection degree, Guide rail installation 0~55°C operating temperature

Power terminal

Terminal	V+	V+	PE	V-	V-
Description	+24V	+24V	PE	0V	0V

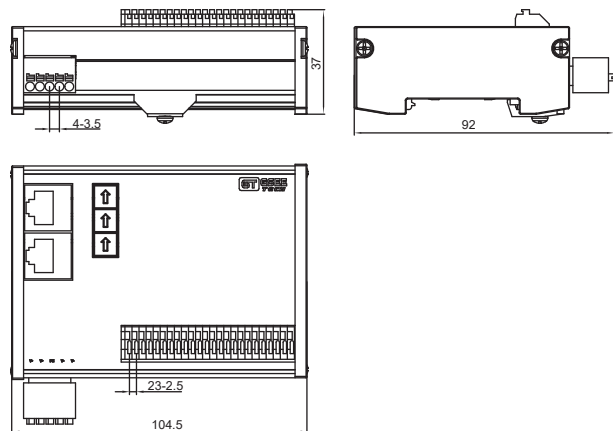
IO terminal

Terminal	+	+	+	+	-	-	-	-	1~16
Description	V _{sensor}	V _{sensor}	V _{sensor}	V _{sensor}	0V	0V	0V	0V	Input 1~16

Address settings

x100 x10 x1	0	- DHCP	
	1 ... 254	- IP Address (192.168.0.xxx)	
IP Address	255	- DHCP	

Dimension



GXEN20 MODBUS TCP MODULE

- ModbusTCP Slave module
- 32 channel Digital Input,PNP
- 2xRJ45,Integrated Ethernet switch function
- TCP port: 502
- Short-circuit\reverse polarity protection
- Compact Module
- IP20 Protection degree



GXEN20

Technical specification

Parameters	
Protocol	Modbus TCP
Connection	2 x RJ45
Physical layer	Ethernet
Transmission rate	10/100Mbps
Address	Software setting or rotating switch
Function Code	1, 2, 3, 4, 5, 6, 15, 16, 23
Port	502

Power Supply	
Connection	Terminal connection,max. 1.5 mm ²
Voltage supply	24VDC (18...30VDC)
Current without loads	80mA

Digital input	
Number of input	32
Connection	Terminal connection, max. 0.5 mm ²
Input type	PNP
Input diagnostic type	Short-circuit diagnostic
Switching threshold	EN 61131-2 Type 1/3
Switching frequency	250Hz

General Data	
Protection degree	IP20
Dimensions(H x W x D)	92 x 104.5 x 37mm
Installation method	Guide rail type
Operating temperature	0 ~ 55°C
Storage temperature	-20 ~ 70°C

LED-indication	
PWR	Green: OK
MS	Green: Normal operation ; Red: Major fault
NS	Green: Receive at least one MODBUS message
	Flashing green: Wait for the first Modbus message
	Red: Duplicate IP address; Flashing red: Time out
LINK	Green: Link OK, no communication
	Flashing green: Link OK, communication established
	Off: No link
I/O	Green: Input or Output active

Order information	
Type	GXEN20-DI32S
Protocol	Modbus TCP
Description	IP20 protection degree, Guide rail installation 0~55°C operating temperature

Power terminal

Terminal	V+	V+	PE	V-	V-
Description	+24V	+24V	PE	0V	0V

IO terminal

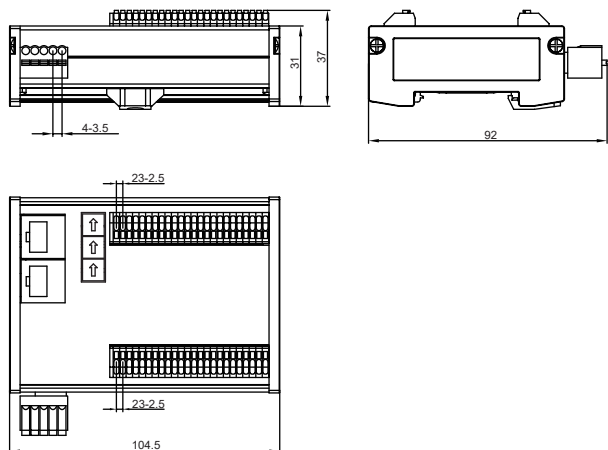
Terminal	+	+	+	+	-	-	-	-	1~16
Description	V _{sensor}	V _{sensor}	V _{sensor}	V _{sensor}	0V	0V	0V	0V	Input 1~16

Terminal	+	+	+	+	-	-	-	-	17~32
Description	V _{sensor}	V _{sensor}	V _{sensor}	V _{sensor}	0V	0V	0V	0V	Input 17~32

Address settings

x100 x10 x1	0	- DHCP	
	1 ... 254	- IP Address (192.168.0.xxx)	
IP Address	255	- DHCP	

Dimension



- ModbusTCP Slave module
- 32 channel Digital Input,NPN
- 2xRJ45,Integrated Ethernet switch function
- TCP port: 502
- Short-circuit/reverse polarity protection
- Compact Module
- IP20 Protection degree



Technical specification

Parameters	
Protocol	Modbus TCP
Connection	2 x RJ45
Physical layer	Ethernet
Transmission rate	10/100Mbps
Address	Software setting or rotating switch
Function Code	1, 2, 3, 4, 5, 6, 15, 16, 23
Port	502

Power Supply	
Connection	Terminal connection,max. 1.5 mm ²
Voltage supply	24VDC (18...30VDC)
Current without loads	80mA

Digital input	
Number of input	32
Connection	Terminal connection, max. 0.5 mm ²
Input type	NPN
Input diagnostic type	Short-circuit diagnostic
Switching threshold	EN 61131-2 Type 1/3
Switching frequency	250Hz

General Data	
Protection degree	IP20
Dimensions(H x W x D)	92 x 104.5 x 37mm
Installation method	Guide rail type
Operating temperature	0 ~ 55°C
Storage temperature	-20 ~ 70°C

LED-indication	
PWR	Green: OK
MS	Green: Normal operation ; Red: Major fault
NS	Green: Receive at least one MODBUS message
	Flashing green: Wait for the first Modbus message
	Red: Duplicate IP address;Flashing red: Time out
LINK	Green: Link OK, no communication
	Flashing green: Link OK, communication established
	Off: No link
I/O	Green: Input or Output active

Order information	
Type	GXEN20-DI32S-N
Protocol	Modbus TCP
Description	IP20 protection degree, Guide rail installation 0~55°C operating temperature

Power terminal

Terminal	V+	V+	PE	V-	V-
Description	+24V	+24V	PE	0V	0V

IO terminal

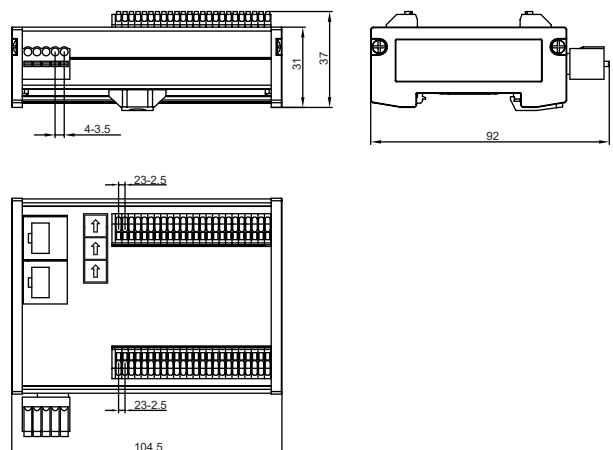
Terminal	+	+	+	+	-	-	-	-	1~16
Description	Vsensor	Vsensor	Vsensor	Vsensor	0V	0V	0V	0V	Input 1~16

Terminal	+	+	+	+	-	-	-	-	17~32
Description	Vsensor	Vsensor	Vsensor	Vsensor	0V	0V	0V	0V	Input 17~32

Address settings

x100 x10 x1	0	- DHCP	
	1 ... 254	- IP Address (192.168.0.xxx)	
IP Address	255	- DHCP	

Dimension



GXEN20 MODBUS TCP MODULE

- ModbusTCP Slave module
- 16 channel Digital Output,PNP,0.5A
- 2xRJ45,Integrated Ethernet switch function
- TCP port: 502
- Short-circuit\reverse polarity protection
- Compact Module
- IP20 Protection degree



GXEN20

Technical specification

Parameters	
Protocol	Modbus TCP
Connection	2 x RJ45
Physical layer	Ethernet
Transmission rate	10/100Mbps
Address	Software setting or rotating switch
Function Code	1, 2, 3, 4, 5, 6, 15, 16, 23
Port	502

Power Supply	
Connection	Terminal connection,max. 1.5 mm ²
Voltage supply	24VDC (18...30VDC)
Current without loads	80mA

Digital Output	
Number of input	16
Connection	Terminal connection, max. 0.5 mm ²
Output type	PNP
Output diagnostic type	Group diagnosis
Output voltage	24VDC
Output current/channel	0.5A/ch
Load type	Resistive,inductive,lamp load

General Data	
Protection degree	IP20
Dimensions(H x W x D)	92 x 104.5 x 37mm
Installation method	Guide rail type
Operating temperature	0 ~ 55°C
Storage temperature	-20 ~ 70°C

LED-indication	
PWR	Green: OK
AUX	Green: Auxiliary power supply OK
MS	Green: Normal operation ; Red: Major fault
NS	Green: Receive at least one MODBUS message
	Flashing green: Wait for the first Modbus message
	Red:Duplicate IP address;Flashing red:Time out
LINK	Green: Link OK, no communication
	Flashing green:Link OK,communication established
	Off: No link
I/O	Green: Input or Output active

Order information	
Type	GXEN20-DO16S
Protocol	Modbus TCP
Description	IP20 protection degree,Guide rail installation 0~55°C operating temperature

Power terminal

Terminal	V+	V+	PE	V-	V-
Description	+24V	+24V	PE	0V	0V

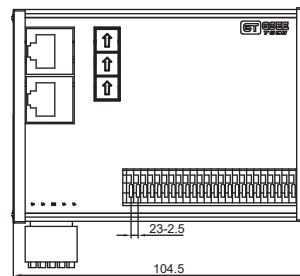
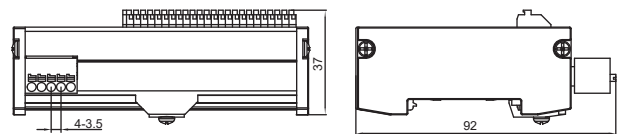
IO terminal

Terminal	+	+	+	+	-	-	-	-	1-16
Description	AUX	AUX	AUX	AUX	0V	0V	0V	0V	Output 1~16

Address settings

x100 x10 x1	0	- DHCP	
	1 ... 254	- IP Address (192.168.0.xxx)	
IP Address	255	- DHCP	

Dimension



- ModbusTCP Slave module
- 16 channel Digital Output,NPN,0.5A
- 2xRJ45,Integrated Ethernet switch function
- TCP port: 502
- Short-circuit\reverse polarity protection
- Compact Module
- IP20 Protection degree



Technical specification

Parameters	
Protocol	Modbus TCP
Connection	2 x RJ45
Physical layer	Ethernet
Transmission rate	10/100Mbps
Address	Software setting or rotating switch
Function Code	1, 2, 3, 4, 5, 6, 15, 16, 23
Port	502

Power Supply	
Connection	Terminal connection,max. 1.5 mm ²
Voltage supply	24VDC(18...30VDC)
Current without loads	80mA

Digital Output	
Number of input	16
Connection	Terminal connection, max. 0.5 mm ²
Output type	NPN
Output diagnostic type	Group diagnosis
Output voltage	0V
Output current/channel	0.5A/ch
Load type	Resistive,inductive,lamp load

General Data	
Protection degree	IP20
Dimensions(H x W x D)	92 x 104.5 x 37mm
Installation method	Guide rail type
Operating temperature	0 ~ 55°C
Storage temperature	-20 ~ 70°C

LED-indication	
PWR	Green:OK
AUX	Green:Auxiliary power supply OK
MS	Green:Normal operation;Red:Major fault
NS	Green:Receive at least one MODBUS message
	Flashing green:Wait for the first Modbus mseeage
	Red:Duplicate IP address;Flashing red:Time out
LINK	Green:Link OK,no communication
	Flashing green:Link OK,communication established
	Off:No link
I/O	Green:Input or Output active

Order information	
Type	GXEN20-DO16S-N
Protocol	Modbus TCP
Description	IP20 protection degree,Guide rail installation 0~55°C operating temperature

Power terminal

Terminal	V+	V+	PE	V-	V-
Description	+24V	+24V	PE	0V	0V

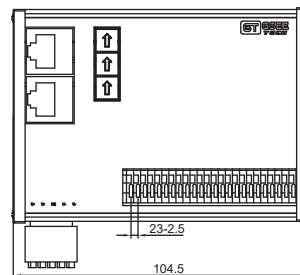
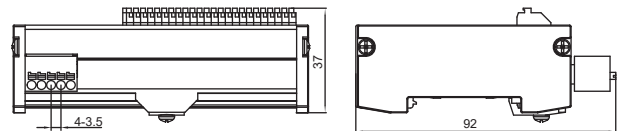
IO terminal

Terminal	+	+	+	+	-	-	-	-	1-16
Description	AUX	AUX	AUX	AUX	0V	0V	0V	0V	Output 1~16

Address settings

x100 x10 x1	0	- DHCP	
	1 ... 254	- IP Address (192.168.0.xxx)	
IP Address	255	- DHCP	

Dimension



GXEN20 MODBUS TCP MODULE

- ModbusTCP Slave module
- 32 channel Digital Output,PNP,0.5A
- 2xRJ45,Integrated Ethernet switch function
- TCP port: 502
- Short-circuit\reverse polarity protection
- Compact Module
- IP20 Protection degree



GXEN20

Technical specification

Parameters	
Protocol	Modbus TCP
Connection	2 x RJ45
Physical layer	Ethernet
Transmission rate	10/100Mbps
Address	Software setting or rotating switch
Function Code	1, 2, 3, 4, 5, 6, 15, 16, 23
Port	502

Power Supply	
Connection	Terminal connection,max. 1.5 mm ²
Voltage supply	24VDC (18...30VDC)
Current without loads	80mA

Digital Output	
Number of input	32
Connection	Terminal connection, max. 0.5 mm ²
Output type	PNP
Output diagnostic type	Group diagnosis
Output voltage	24VDC
Output current/channel	0.5A/ch
Load type	Resistive,inductive,lamp load

General Data	
Protection degree	IP20
Dimensions(H x W x D)	92 x 104.5 x 37mm
Installation method	Guide rail type
Operating temperature	0 ~ 55°C
Storage temperature	-20 ~ 70°C

LED-indication	
PWR	Green: OK
AUX	Green: Auxiliary power supply OK
MS	Green: Normal operation ; Red: Major fault
NS	Green: Receive at least one MODBUS message
	Flashing green: Wait for the first Modbus message
	Red: Duplicate IP address; Flashing red: Time out
LINK	Green: Link OK, no communication
	Flashing green: Link OK, communication established
	Off: No link
I/O	Green: Input or Output active

Order information	
Type	GXEN20-DO32S
Protocol	Modbus TCP
Description	IP20 protection degree, Guide rail installation 0~55°C operating temperature

Power terminal

Terminal	V+	V+	PE	V-	V-
Description	+24V	+24V	PE	0V	0V

IO terminal

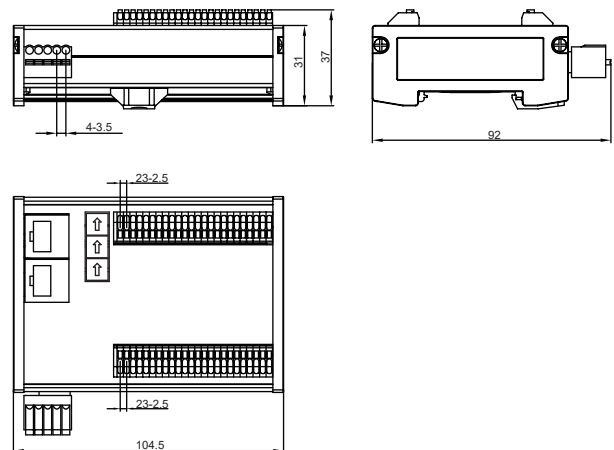
Terminal	+	+	+	+	-	-	-	-	1~16
Description	AUX	AUX	AUX	AUX	0V	0V	0V	0V	Output 1~16

Terminal	+	+	+	+	-	-	-	-	17~32
Description	AUX	AUX	AUX	AUX	0V	0V	0V	0V	Output 17~32

Address settings

x100 x10 x1	0	- DHCP	
	1 ... 254	- IP Address (192.168.0.xxx)	
IP Address	255	- DHCP	

Dimension



- ModbusTCP Slave module
- 32 channel Digital Output,NPN,0.5A
- 2xRJ45,Integrated Ethernet switch function
- TCP port: 502
- Short-circuit\reverse polarity protection
- Compact Module
- IP20 Protection degree



Technical specification

Parameters	
Protocol	Modbus TCP
Connection	2 x RJ45
Physical layer	Ethernet
Transmission rate	10/100Mbps
Address	Software setting or rotating switch
Function Code	1, 2, 3, 4, 5, 6, 15, 16, 23
Port	502

Power Supply	
Connection	Terminal connection,max. 1.5 mm ²
Voltage supply	24VDC (18...30VDC)
Current without loads	80mA

Digital Output	
Number of input	32
Connection	Terminal connection, max. 0.5 mm ²
Output type	NPN
Output diagnostic type	Group diagnosis
Output voltage	0V
Output current/channel	0.5A/ch
Load type	Resistive,inductive,lamp load

General Data	
Protection degree	IP20
Dimensions(H x W x D)	92 x 104.5 x 37mm
Installation method	Guide rail type
Operating temperature	0 ~ 55°C
Storage temperature	-20 ~ 70°C

LED-indication	
PWR	Green: OK
AUX	Green: Auxiliary power supply OK
MS	Green: Normal operation ; Red: Major fault
NS	Green: Receive at least one MODBUS message
	Flashing green: Wait for the first Modbus message
	Red: Duplicate IP address;Flashing red: Time out
LINK	Green: Link OK, no communication
	Flashing green: Link OK, communication established
	Off: No link
I/O	Green: Input or Output active

Order information	
Type	GXEN20-DO32S-N
Protocol	Modbus TCP
Description	IP20 protection degree,Guide rail installation 0~55°C operating temperature

Power terminal

Terminal	V+	V+	PE	V-	V-
Description	+24V	+24V	PE	0V	0V

IO terminal

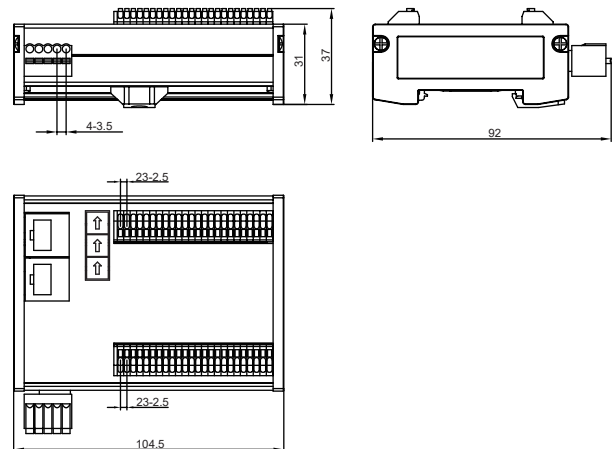
Terminal	+	+	+	+	-	-	-	-	1~16
Description	AUX	AUX	AUX	AUX	0V	0V	0V	0V	Output 1~16

Terminal	+	+	+	+	-	-	-	-	17~32
Description	AUX	AUX	AUX	AUX	0V	0V	0V	0V	Output 17~32

Address settings

x100 x10 x1	0	- DHCP	
	1 ... 254	- IP Address (192.168.0.xxx)	
IP Address	255	- DHCP	

Dimension



GXEN20 MODBUS TCP MODULE

- ModbusTCP Slave module
- 16 channel Digital Input,PNP;16 channel Digital Output,PNP,0.5A
- 2xRJ45,Integrated Ethernet switch function
- TCP port: 502
- Short-circuit\reverse polarity protection
- Compact Module
- IP20 Protection degree



GXEN20

Technical specification

Parameters	
Protocol	Modbus TCP
Connection	2 x RJ45
Physical layer	Ethernet
Transmission rate	10/100Mbps
Address	Software setting or rotating switch
Function Code	1, 2, 3, 4, 5, 6, 15, 16, 23
Port	502

Power Supply	
Connection	Terminal connection,max. 1.5 mm ²
Voltage supply	24VDC (18...30VDC)
Current without loads	80mA

Digital input	
Number of input	16
Connection	Terminal connection, max. 0.5 mm ²
Input type	PNP
Input diagnostic type	Short-circuit diagnostic
Switching threshold	EN 61131-2 Type 1/3
Switching frequency	250Hz

Digital Output	
Number of input	16
Connection	Terminal connection, max. 0.5 mm ²
Output type	PNP
Output diagnostic type	Group diagnosis
Output voltage	24VDC
Output current/channel	0.5A/ch
Load type	Resistive,inductive,lamp load

General Data	
Protection degree	IP20
Dimensions(H x W x D)	92 x 104.5 x 37mm
Installation method	Guide rail type
Operating temperature	0 ~ 55°C
Storage temperature	-20 ~ 70°C

LED-indication	
PWR	Green: OK
AUX	Green: Auxiliary power supply OK
MS	Green: Normal operation ; Red: Major fault
NS	Green: Receive at least one MODBUS message
	Flashing green: Wait for the first Modbus message
LINK	Red: Duplicate IP address;Flashing red: Time out
	Green: Link OK, no communication
	Flashing green: Link OK, communication established
I/O	Off: No link
	Green: Input or Output active

Order information	
Type	GXEN20-DI16DO16S
Protocol	Modbus TCP
Description	IP20 protection degree,Guide rail installation 0~55°C operating temperature

Power terminal

Terminal	V+	V+	PE	V-	V-
Description	+24V	+24V	PE	0V	0V

IO terminal

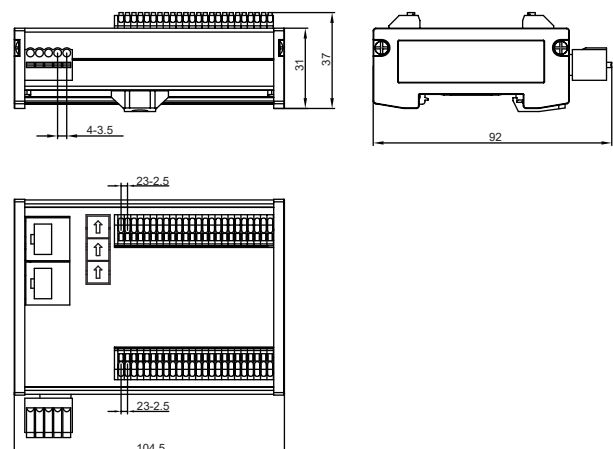
Terminal	+	+	+	+	-	-	-	-	1~16
Description	V _{sensor}	V _{sensor}	V _{sensor}	V _{sensor}	0V	0V	0V	0V	Input 1~16

Terminal	+	+	+	+	-	-	-	-	1~16
Description	AUX	AUX	AUX	AUX	0V	0V	0V	0V	Output 1~16

Address settings

x100 x10 x1	0	- DHCP	
	1 ... 254	- IP Address (192.168.0.xxx)	
IP Address	255	- DHCP	

Dimension



- ModbusTCP Slave module
- 16 channel Digital Input,NPN;16 channel Digital Output,NPN,0.5A
- 2xRJ45,Integrated Ethernet switch function
- TCP port: 502
- Short-circuit\reverse polarity protection
- Compact Module
- IP20 Protection degree



Technical specification

Parameters	
Protocol	Modbus TCP
Connection	2 x RJ45
Physical layer	Ethernet
Transmission rate	10/100Mbps
Address	Software setting or rotating switch
Function Code	1, 2, 3, 4, 5, 6, 15, 16, 23
Port	502

Order information	
Type	GXEN20-DI16DO16S-N
Protocol	Modbus TCP
Description	IP20 protection degree,Guide rail installation 0~55°C operating temperature

Power Supply	
Connection	Terminal connection,max. 1.5 mm ²
Voltage supply	24VDC (18...30VDC)
Current without loads	80mA

Power terminal

Terminal	V+	V+	PE	V-	V-
Description	+24V	+24V	PE	0V	0V

Digital input	
Number of input	16
Connection	Terminal connection, max. 0.5 mm ²
Input type	NPN
Input diagnostic type	Short-circuit diagnostic
Switching threshold	EN 61131-2 Type 1/3
Switching frequency	250Hz

IO terminal

Terminal	+	+	+	+	-	-	-	-	1~16
Description	V _{sensor}	V _{sensor}	V _{sensor}	V _{sensor}	0V	0V	0V	0V	Input 1~16

Terminal	+	+	+	+	-	-	-	-	1~16
Description	AUX	AUX	AUX	AUX	0V	0V	0V	0V	Output 1~16

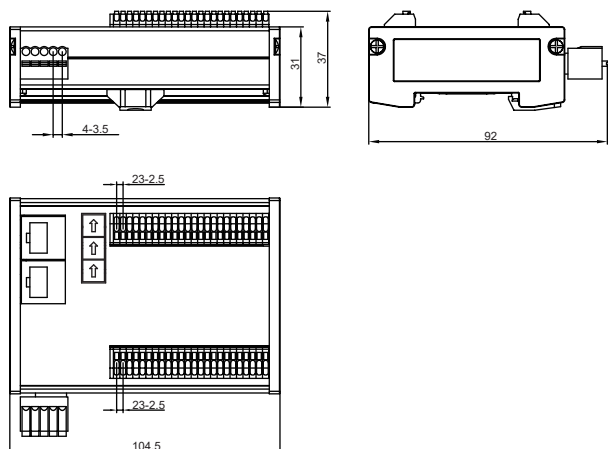
Digital Output	
Number of input	16
Connection	Terminal connection, max. 0.5 mm ²
Output type	NPN
Output diagnostic type	Group diagnosis
Output voltage	0V
Output current/channel	0.5A/ch
Load type	Resistive,inductive,lamp load

Address settings

x100 x10 x1	0	- DHCP	
	1 ... 254	- IP Address (192.168.0.xxx)	
IP Address	255	- DHCP	

General Data	
Protection degree	IP20
Dimensions(H x W x D)	92 x 104.5 x 37mm
Installation method	Guide rail type
Operating temperature	0 ~ 55°C
Storage temperature	-20 ~ 70°C

Dimension



LED-indication	
PWR	Green: OK
AUX	Green: Auxiliary power supply OK
MS	Green: Normal operation ; Red: Major fault
NS	Green: Receive at least one MODBUS message
	Flashing green: Wait for the first Modbus message
	Red: Duplicate IP address; Flashing red: Time out
LINK	Green: Link OK, no communication
	Flashing green: Link OK, communication established
	Off: No link
I/O	Green: Input or Output active

GXEN20 MODBUS TCP MODULE

- ModbusTCP Slave module
- 16 configurable Digital channels,PNP inputs/outputs 0.5 A
- 2xRJ45,Integrated Ethernet switch function
- TCP port: 502
- Short-circuit\reverse polarity protection
- Compact Module
- IP20 Protection degree



GXEN20

Technical specification

Parameters	
Protocol	Modbus TCP
Connection	2 x RJ45
Physical layer	Ethernet
Transmission rate	10/100Mbps
Address	Software setting or rotating switch
Function Code	1, 2, 3, 4, 5, 6, 15, 16, 23
Port	502

Power Supply	
Connection	Terminal connection,max. 1.5 mm ²
Voltage supply	24VDC (18...30VDC)
Current without loads	80mA

Digital input	
Number of input	0~16
Connection	Terminal connection, max. 0.5 mm ²
Input type	PNP
Input diagnostic type	Short-circuit diagnostic
Switching threshold	EN 61131-2 Type 1/3
Switching frequency	250Hz

Digital Output	
Number of input	0~16
Connection	Terminal connection, max. 0.5 mm ²
Output type	PNP
Output diagnostic type	Group diagnosis
Output voltage	24VDC
Output current/channel	0.5A/ch
Load type	Resistive,inductive,lamp load

General Data	
Protection degree	IP20
Dimensions(H x W x D)	92 x 104.5 x 37mm
Installation method	Guide rail type
Operating temperature	0 ~ 55°C
Storage temperature	-20 ~ 70°C

LED-indication	
PWR	Green: OK
AUX	Green: Auxiliary power supply OK
MS	Green: Normal operation ; Red: Major fault
NS	Green: Receive at least one MODBUS message
	Flashing green: Wait for the first Modbus message
	Red:Duplicate IP address;Flashing red:Time out
LINK	Green: Link OK, no communication
	Flashing green:Link OK,communication established
	Off: No link
I/O	Green: Input or Output active

Order information	
Type	GXEN20-DIO16S
Protocol	Modbus TCP
Description	IP20 protection degree,Guide rail installation 0~55°C operating temperature

Power terminal

Terminal	V+	V+	PE	V-	V-
Description	+24V	+24V	PE	0V	0V

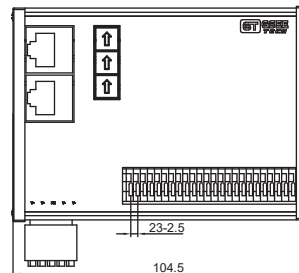
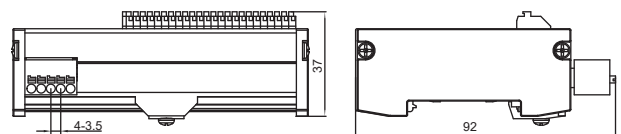
IO terminal

Terminal	+	+	+	+	-	-	-	-	1~16
Description	AUX	AUX	AUX	AUX	0V	0V	0V	0V	Input/Output 1~16

Address settings

x100 x10 x1	0	- DHCP	
	1 ... 254	- IP Address (192.168.0.xxx)	
IP Address	255	- DHCP	

Dimension



- ModbusTCP Slave module
- 16 configurable Digital channels,NPN inputs/outputs 0.5 A
- 2xRJ45,Integrated Ethernet switch function
- TCP port: 502
- Short-circuit\reverse polarity protection
- Compact Module
- IP20 Protection degree



Technical specification

Parameters	
Protocol	Modbus TCP
Connection	2 x RJ45
Physical layer	Ethernet
Transmission rate	10/100Mbps
Address	Software setting or rotating switch
Function Code	1, 2, 3, 4, 5, 6, 15, 16, 23
Port	502

Power Supply	
Connection	Terminal connection,max. 1.5 mm ²
Voltage supply	24VDC (18...30VDC)
Current without loads	80mA

Digital input	
Number of input	0~16
Connection	Terminal connection, max. 0.5 mm ²
Input type	NPN
Input diagnostic type	Short-circuit diagnostic
Switching threshold	EN 61131-2 Type 1/3
Switching frequency	250Hz

Digital Output	
Number of input	0~16
Connection	Terminal connection, max. 0.5 mm ²
Output type	NPN
Output diagnostic type	Group diagnosis
Output voltage	0V
Output current/channel	0.5A/ch
Load type	Resistive,inductive,lamp load

General Data	
Protection degree	IP20
Dimensions(H x W x D)	92 x 104.5 x 37mm
Installation method	Guide rail type
Operating temperature	0 ~ 55°C
Storage temperature	-20 ~ 70°C

LED-indication	
PWR	Green: OK
AUX	Green: Auxiliary power supply OK
MS	Green: Normal operation ; Red: Major fault
NS	Green: Receive at least one MODBUS message
	Flashing green: Wait for the first Modbus message
	Red:Duplicate IP address;Flashing red:Time out
LINK	Green: Link OK, no communication
	Flashing green:Link OK,communication established
	Off: No link
I/O	Green: Input or Output active

Order information	
Type	GXEN20-DIO16S-N
Protocol	Modbus TCP
Description	IP20 protection degree,Guide rail installation 0~55°C operating temperature

Power terminal

Terminal	V+	V+	PE	V-	V-
Description	+24V	+24V	PE	0V	0V

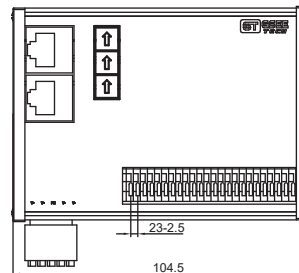
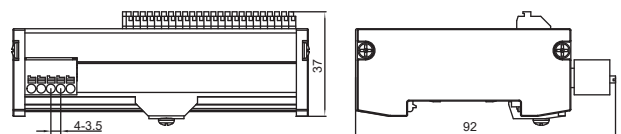
IO terminal

Terminal	+	+	+	+	-	-	-	-	1~16
Description	AUX	AUX	AUX	AUX	0V	0V	0V	0V	Input/Output 1~16

Address settings

x100 x10 x1	0	- DHCP	
	1 ... 254	- IP Address (192.168.0.xxx)	
IP Address	255	- DHCP	

Dimension



GXPI20 PROFINET MODULE

- PROFINET Slave module
- 16 channel Digital Input,PNP
- Support MRP, FSU
- 2xRJ45,Integrated Ethernet switch function
- Short-circuit\reverse polarity protection
- Compact Module
- IP20 Protection degree



GXPI20

Technical specification

Parameters	
Protocol	PROFINET (PROFINET RT)
Connection	2 x RJ45
Physical layer	Ethernet
Transmission rate	10/100Mbps
Addressing mode	DCP
MRP	Support
Diagnosis	According to PROFINET

Power Supply	
Connection	Terminal connection,max. 1.5 mm ²
Voltage supply	24VDC (18...30VDC)
Current without loads	80mA

Digital input	
Number of input	16
Connection	Terminal connection, max. 0.5 mm ²
Input type	PNP
Input diagnostic type	Short-circuit diagnostic
Switching threshold	EN 61131-2 Type 1/3
Switching frequency	250Hz

General Data	
Protection degree	IP20
Dimensions(H x W x D)	92 x 104.5 x 37mm
Installation method	Guide rail type
Operating temperature	0 ~ 55°C
Storage temperature	-20 ~ 70°C

LED-indication	
PWR	Green: OK
MS	Green: Normal operation ; Red: Major fault
NS	Green: Online(RUN);Flashing green: Online(STOP)
	Red:Internal error
LINK	Flashing red:Station name/IP address/Configuration error
	Green: Link OK, no communication
	Flashing green:Link OK,communication established
I/O	Off: No link
	Green: Input or Output active

Order information	
Type	GXPI20-DI16S
Protocol	PROFINET
Description	IP20 protection degree,Guide rail installation 0~55°C operating temperature

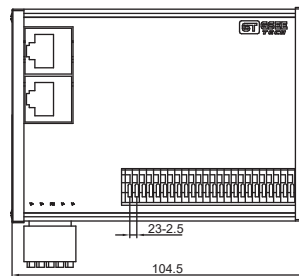
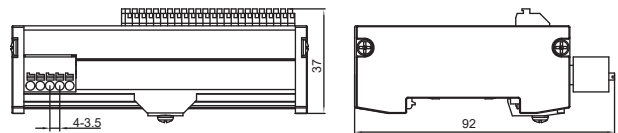
Power terminal

Terminal	V+	V+	PE	V-	V-
Description	+24V	+24V	PE	0V	0V

IO terminal

Terminal	+	+	+	+	-	-	-	-	1~16
Description	Vsensor	Vsensor	Vsensor	Vsensor	0V	0V	0V	0V	Input 1~16

Dimension



- PROFINET Slave module
- 16 channel Digital Input,NPN
- Support MRP, FSU
- 2xRJ45,Integrated Ethernet switch function
- Short-circuit\reverse polarity protection
- Compact Module
- IP20 Protection degree



GXPI20

Technical specification

Parameters	
Protocol	PROFINET (PROFINET RT)
Connection	2 x RJ45
Physical layer	Ethernet
Transmission rate	10/100Mbps
Addressing mode	DCP
MRP	Support
Diagnosis	According to PROFINET

Power Supply	
Connection	Terminal connection,max. 1.5 mm ²
Voltage supply	24VDC (18...30VDC)
Current without loads	80mA

Digital input	
Number of input	16
Connection	Terminal connection, max. 0.5 mm ²
Input type	NPN
Input diagnostic type	Short-circuit diagnostic
Switching threshold	EN 61131-2 Type 1/3
Switching frequency	250Hz

General Data	
Protection degree	IP20
Dimensions(H x W x D)	92 x 104.5 x 37mm
Installation method	Guide rail type
Operating temperature	0 ~ 55°C
Storage temperature	-20 ~ 70°C

LED-indication	
PWR	Green: OK
MS	Green: Normal operation ; Red: Major fault
NS	Green: Online(RUN);Flashing green: Online(STOP)
	Red:Internal error
	Flashing red:Station name/IP address/Configuration error
LINK	Green: Link OK, no communication
	Flashing green:Link OK,communication established
	Off: No link
I/O	Green: Input or Output active

Order information	
Type	GXPI20-DI16S-N
Protocol	PROFINET
Description	IP20 protection degree,Guide rail installation 0~55°C operating temperature

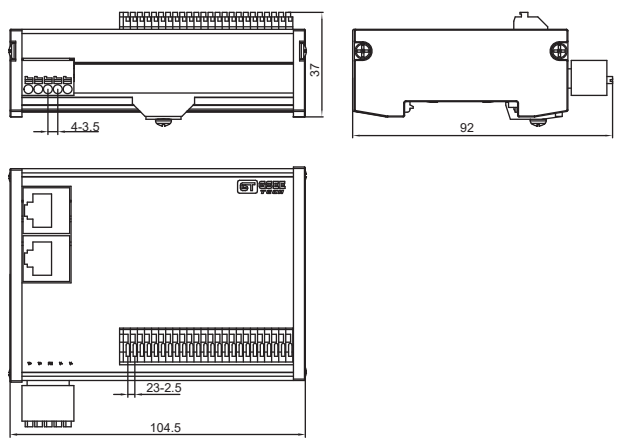
Power terminal

Terminal	V+	V+	PE	V-	V-
Description	+24V	+24V	PE	0V	0V

IO terminal

Terminal	+	+	+	+	-	-	-	-	1~16
Description	Vsensor	Vsensor	Vsensor	Vsensor	0V	0V	0V	0V	Input 1~16

Dimension



GXPI20 PROFINET MODULE

- PROFINET Slave module
- 32channel Digital Input,PNP
- Support MRP, FSU
- 2xRJ45,Integrated Ethernet switch function
- Short-circuit\reverse polarity protection
- Compact Module
- IP20 Protection degree



GXPI20

Technical specification

Parameters	
Protocol	PROFINET(PROFINET RT)
Connection	2 x RJ45
Physical layer	Ethernet
Transmission rate	10/100Mbps
Addressing mode	DCP
MRP	Support
Diagnosis	According to PROFINET

Power Supply	
Connection	Terminal connection,max. 1.5 mm ²
Voltage supply	24VDC (18...30VDC)
Current without loads	80mA

Digital input	
Number of input	32
Connection	Terminal connection, max. 0.5 mm ²
Input type	PNP
Input diagnostic type	Short-circuit diagnostic
Switching threshold	EN 61131-2 Type 1/3
Switching frequency	250Hz

General Data	
Protection degree	IP20
Dimensions(H x W x D)	92 x 104.5 x 37mm
Installation method	Guide rail type
Operating temperature	0 ~ 55°C
Storage temperature	-20 ~ 70°C

LED-indication	
PWR	Green: OK
MS	Green: Normal operation ; Red: Major fault
NS	Green: Online(RUN);Flashing green: Online(STOP) Red:Internal error Flashing red:Station name/IP address/Configuration error
LINK	Green: Link OK, no communication Flashing green:Link OK,communication established Off: No link
I/O	Green: Input or Output active

Order information	
Type	GXPI20-DI32S
Protocol	PROFINET
Description	IP20 protection degree,Guide rail installation 0~55°C operating temperature

Power terminal

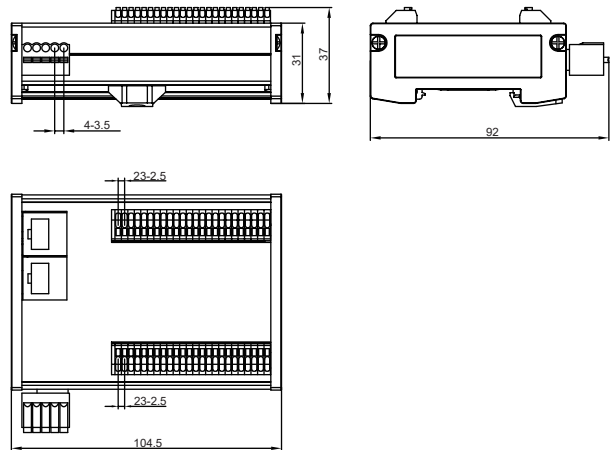
Terminal	V+	V+	PE	V-	V-
Description	+24V	+24V	PE	0V	0V

IO terminal

Terminal	+	+	+	+	-	-	-	-	1~16
Description	V _{sensor}	V _{sensor}	V _{sensor}	V _{sensor}	0V	0V	0V	0V	Input 1~16

Terminal	+	+	+	+	-	-	-	-	17~32
Description	V _{sensor}	V _{sensor}	V _{sensor}	V _{sensor}	0V	0V	0V	0V	Input 17~32

Dimension



- PROFINET Slave module
- 32channel Digital Input,NPN
- Support MRP, FSU
- 2xRJ45,Integrated Ethernet switch function
- Short-circuit/reverse polarity protection
- Compact Module
- IP20 Protection degree



GXPI20

Technical specification

Parameters	
Protocol	PROFINET(PROFINET RT)
Connection	2 x RJ45
Physical layer	Ethernet
Transmission rate	10/100Mbps
Addressing mode	DCP
MRP	Support
Diagnosis	According to PROFINET

Power Supply	
Connection	Terminal connection,max. 1.5 mm ²
Voltage supply	24VDC (18...30VDC)
Current without loads	80mA

Digital input	
Number of input	32
Connection	Terminal connection, max. 0.5 mm ²
Input type	NPN
Input diagnostic type	Short-circuit diagnostic
Switching threshold	EN 61131-2 Type 1/3
Switching frequency	250Hz

General Data	
Protection degree	IP20
Dimensions(H x W x D)	92 x 104.5 x 37mm
Installation method	Guide rail type
Operating temperature	0 ~ 55°C
Storage temperature	-20 ~ 70°C

LED-indication	
PWR	Green: OK
MS	Green: Normal operation ; Red: Major fault
NS	Green: Online(RUN);Flashing green: Online(STOP)
	Red:Internal error
LINK	Flashing red:Station name/IP address/Configuration error
	Green: Link OK, no communication
	Flashing green:Link OK,communication established
I/O	Off: No link
	Green: Input or Output active

Order information	
Type	GXPI20-DI32S-N
Protocol	PROFINET
Description	IP20 protection degree,Guide rail installation 0~55°C operating temperature

Power terminal

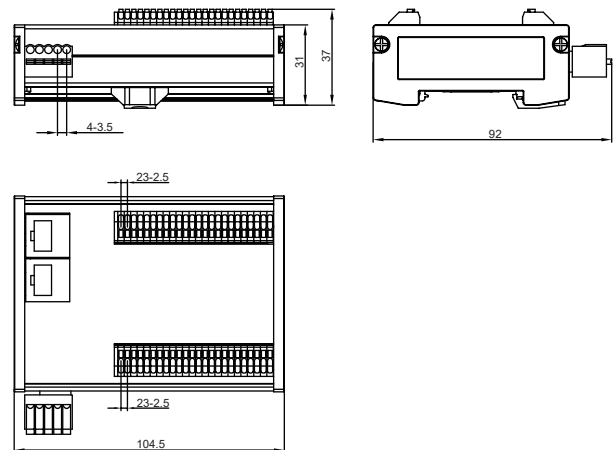
Terminal	V+	V+	PE	V-	V-
Description	+24V	+24V	PE	0V	0V

IO terminal

Terminal	+	+	+	+	-	-	-	-	1~16
Description	V _{sensor}	V _{sensor}	V _{sensor}	V _{sensor}	0V	0V	0V	0V	Input 1~16

Terminal	+	+	+	+	-	-	-	-	17~32
Description	V _{sensor}	V _{sensor}	V _{sensor}	V _{sensor}	0V	0V	0V	0V	Input 17~32

Dimension



GXPI20 PROFINET MODULE

- PROFINET Slave module
- 16 channel Digital Output, PNP, 0.5A
- Support MRP, FSU
- 2xRJ45, Integrated Ethernet switch function
- Short-circuit/reverse polarity protection
- Compact Module
- IP20 Protection degree



GXPI20

Technical specification

Parameters	
Protocol	PROFINET (PROFINET RT)
Connection	2 x RJ45
Physical layer	Ethernet
Transmission rate	10/100Mbps
Addressing mode	DCP
MRP	Support
Diagnosis	According to PROFINET

Power Supply	
Connection	Terminal connection, max. 1.5 mm ²
Voltage supply	24VDC (18...30VDC)
Current without loads	80mA

Digital Output	
Number of input	16
Connection	Terminal connection, max. 0.5 mm ²
Output type	PNP
Output diagnostic type	Group diagnosis
Output voltage	24VDC
Output current/channel	0.5A/ch
Load type	Resistive, inductive, lamp load

General Data	
Protection degree	IP20
Dimensions (H x W x D)	92 x 104.5 x 37mm
Installation method	Guide rail type
Operating temperature	0 ~ 55°C
Storage temperature	-20 ~ 70°C

LED-indication	
PWR	Green: OK
AUX	Green: Auxiliary power supply OK
MS	Green: Normal operation; Red: Major fault
NS	Green: Online (RUN); Flashing green: Online (STOP)
	Red: Internal error
	Flashing red: Station name/IP address/Configuration error
LINK	Green: Link OK, no communication
	Flashing green: Link OK, communication established
	Off: No link
I/O	Green: Input or Output active

Order information	
Type	GXPI20-DO16S
Protocol	PROFINET
Description	IP20 protection degree, Guide rail installation 0~55°C operating temperature

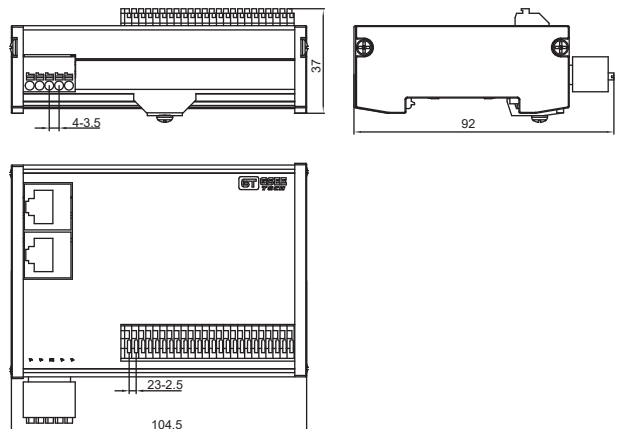
Power terminal

Terminal	V+	V+	PE	V-	V-
Description	+24V	+24V	PE	0V	0V

IO terminal

Terminal	+	+	+	+	-	-	-	-	1~16
Description	AUX	AUX	AUX	AUX	0V	0V	0V	0V	Output 1~16

Dimension



- PROFINET Slave module
- 16 channel Digital Output,NPN,0.5A
- Support MRP, FSU
- 2xRJ45,Integrated Ethernet switch function
- Short-circuit/reverse polarity protection
- Compact Module
- IP20 Protection degree



Technical specification

Parameters	
Protocol	PROFINET(PROFINET RT)
Connection	2 x RJ45
Physical layer	Ethernet
Transmission rate	10/100Mbps
Addressing mode	DCP
MRP	Support
Diagnosis	According to PROFINET

Power Supply	
Connection	Terminal connection,max. 1.5 mm ²
Voltage supply	24VDC (18...30VDC)
Current without loads	80mA

Digital Output	
Number of input	16
Connection	Terminal connection, max. 0.5 mm ²
Output type	NPN
Output diagnostic type	Group diagnosis
Output voltage	0V
Output current/channel	0.5A/ch
Load type	Resistive,inductive,lamp load

General Data	
Protection degree	IP20
Dimensions(H x W x D)	92 x 104.5 x 37mm
Installation method	Guide rail type
Operating temperature	0 ~ 55°C
Storage temperature	-20 ~ 70°C

LED-indication	
PWR	Green: OK
AUX	Green: Auxiliary power supply OK
MS	Green: Normal operation ; Red: Major fault
NS	Green: Online(RUN);Flashing green: Online(STOP) Red:Internal error Flashing red:Station name/IP address/Configuration error
LINK	Green: Link OK, no communication Flashing green:Link OK,communication established Off: No link
I/O	Green: Input or Output active

Order information	
Type	GXPI20-DO16S-N
Protocol	PROFINET
Description	IP20 protection degree,Guide rail installation 0~55°C operating temperature

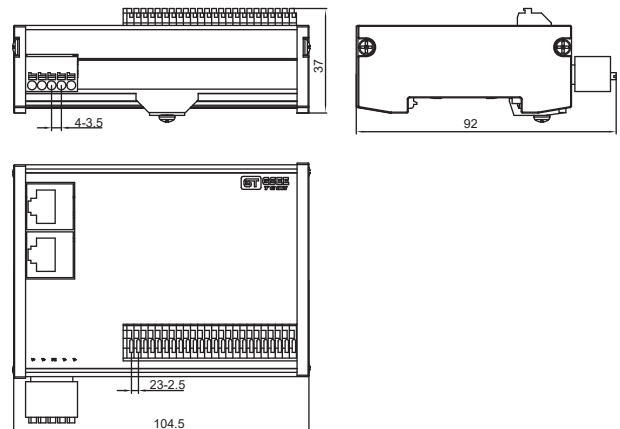
Power terminal

Terminal	V+	V+	PE	V-	V-
Description	+24V	+24V	PE	0V	0V

IO terminal

Terminal	+	+	+	+	-	-	-	-	1~16
Description	AUX	AUX	AUX	AUX	0V	0V	0V	0V	Output 1~16

Dimension



GXPI20 PROFINET MODULE

- PROFINET Slave module
- 32 channel Digital Output,PNP,0.5A
- Support MRP, FSU
- 2xRJ45,Integrated Ethernet switch function
- Short-circuit\reverse polarity protection
- Compact Module
- IP20 Protection degree



GXPI20

Technical specification

Parameters	
Protocol	PROFINET(PROFINET RT)
Connection	2 x RJ45
Physical layer	Ethernet
Transmission rate	10/100Mbps
Addressing mode	DCP
MRP	Support
Diagnosis	According to PROFINET

Power Supply	
Connection	Terminal connection,max. 1.5 mm ²
Voltage supply	24VDC (18...30VDC)
Current without loads	80mA

Digital Output	
Number of input	32
Connection	Terminal connection, max. 0.5 mm ²
Output type	PNP
Output diagnostic type	Group diagnosis
Output voltage	24VDC
Output current/channel	0.5A/ch
Load type	Resistive,inductive,lamp load

General Data	
Protection degree	IP20
Dimensions(H x W x D)	92 x 104.5 x 37mm
Installation method	Guide rail type
Operating temperature	0 ~ 55°C
Storage temperature	-20 ~ 70°C

LED-indication	
PWR	Green: OK
AUX	Green: Auxiliary power supply OK
MS	Green: Normal operation ; Red: Major fault
NS	Green: Online(RUN);Flashing green: Online(STOP)
	Red:Internal error
	Flashing red:Station name/IP address/Configuration error
LINK	Green: Link OK, no communication
	Flashing green:Link OK,communication established
	Off: No link
I/O	Green: Input or Output active

Order information	
Type	GXPI20-DO32S
Protocol	PROFINET
Description	IP20 protection degree,Guide rail installation 0~55°C operating temperature

Power terminal

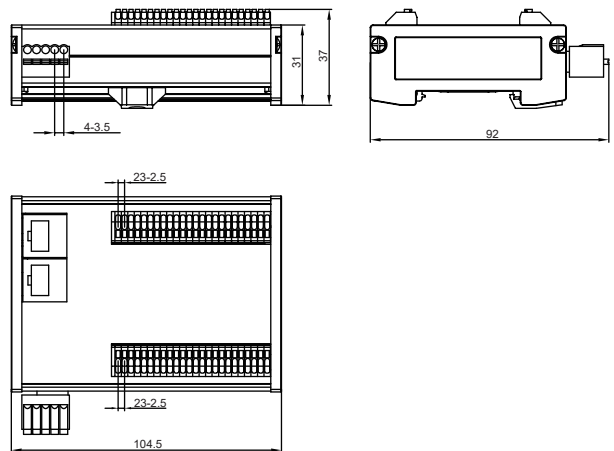
Terminal	V+	V+	PE	V-	V-
Description	+24V	+24V	PE	0V	0V

IO terminal

Terminal	+	+	+	+	-	-	-	-	1~16
Description	AUX	AUX	AUX	AUX	0V	0V	0V	0V	Output 1~16

Terminal	+	+	+	+	-	-	-	-	17~32
Description	AUX	AUX	AUX	AUX	0V	0V	0V	0V	Output 17~32

Dimension



- PROFINET Slave module
- 32 channel Digital Output,NPN,0.5A
- Support MRP, FSU
- 2xRJ45,Integrated Ethernet switch function
- Short-circuit\reverse polarity protection
- Compact Module
- IP20 Protection degree



Technical specification

Parameters	
Protocol	PROFINET(PROFINET RT)
Connection	2 x RJ45
Physical layer	Ethernet
Transmission rate	10/100Mbps
Addressing mode	DCP
MRP	Support
Diagnosis	According to PROFINET

Power Supply	
Connection	Terminal connection,max. 1.5 mm ²
Voltage supply	24VDC (18...30VDC)
Current without loads	80mA

Digital Output	
Number of input	32
Connection	Terminal connection, max. 0.5 mm ²
Output type	NPN
Output diagnostic type	Group diagnosis
Output voltage	0V
Output current/channel	0.5A/ch
Load type	Resistive,inductive,lamp load

General Data	
Protection degree	IP20
Dimensions(H x W x D)	92 x 104.5 x 37mm
Installation method	Guide rail type
Operating temperature	0 ~ 55°C
Storage temperature	-20 ~ 70°C

LED-indication	
PWR	Green: OK
AUX	Green: Auxiliary power supply OK
MS	Green: Normal operation ; Red: Major fault
NS	Green: Online(RUN);Flashing green: Online(STOP) Red:Internal error Flashing red:Station name/IP address/Configuration error
LINK	Green: Link OK, no communication Flashing green:Link OK,communication established Off: No link
I/O	Green: Input or Output active

Order information	
Type	GXPI20-DO32S-N
Protocol	PROFINET
Description	IP20 protection degree,Guide rail installation 0~55°C operating temperature

Power terminal

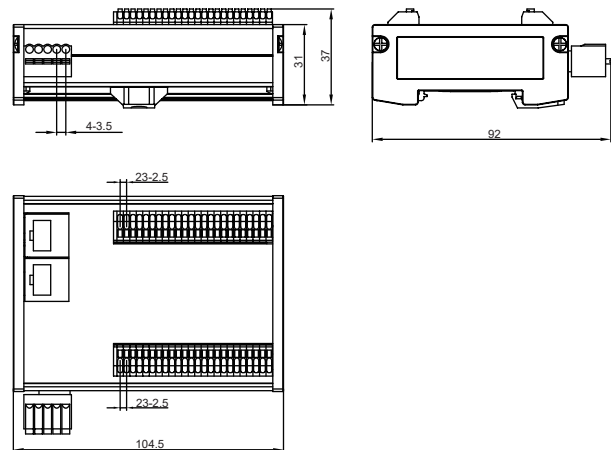
Terminal	V+	V+	PE	V-	V-
Description	+24V	+24V	PE	0V	0V

IO terminal

Terminal	+	+	+	+	-	-	-	-	1~16
Description	AUX	AUX	AUX	AUX	0V	0V	0V	0V	Output 1~16

Terminal	+	+	+	+	-	-	-	-	17~32
Description	AUX	AUX	AUX	AUX	0V	0V	0V	0V	Output 17~32

Dimension



GXPI20 PROFINET MODULE

- PROFINET Slave module
- 16 channel Digital Input,PNP;16 channel Digital Output,PNP,0.5A
- Support MRP, FSU
- 2xRJ45,Integrated Ethernet switch function
- Short-circuit\reverse polarity protection
- Compact Module
- IP20 Protection degree



GXPI20

Technical specification

Parameters	
Protocol	PROFINET(PROFINET RT)
Connection	2 x RJ45
Physical layer	Ethernet
Transmission rate	10/100Mbps
Addressing mode	DCP
MRP	Support
Diagnosis	According to PROFINET

Power Supply	
Connection	Terminal connection,max. 1.5 mm ²
Voltage supply	24VDC (18...30VDC)
Current without loads	80mA

Digital input	
Number of input	16
Connection	Terminal connection, max. 0.5 mm ²
Input type	PNP
Input diagnostic type	Short-circuit diagnostic
Switching threshold	EN 61131-2 Type 1/3
Switching frequency	250Hz

Digital Output	
Number of input	16
Connection	Terminal connection, max. 0.5 mm ²
Output type	PNP
Output diagnostic type	Group diagnosis
Output voltage	24VDC
Output current/channel	0.5A/ch
Load type	Resistive,inductive,lamp load

General Data	
Protection degree	IP20
Dimensions(H x W x D)	92 x 104.5 x 37mm
Installation method	Guide rail type
Operating temperature	0 ~ 55°C
Storage temperature	-20 ~ 70°C

LED-indication	
PWR	Green: OK
AUX	Green: Auxiliary power supply OK
MS	Green: Normal operation ; Red: Major fault
NS	Green: Online(RUN);Flashing green: Online(STOP)
	Red:Internal error
	Flashing red:Station name/IP address/Configuration error
LINK	Green: Link OK, no communication
	Flashing green:Link OK,communication established
	Off: No link
I/O	Green: Input or Output active

Order information	
Type	GXPI20-DI16DO16S
Protocol	PROFINET
Description	IP20 protection degree,Guide rail installation 0~55°C operating temperature

Power terminal

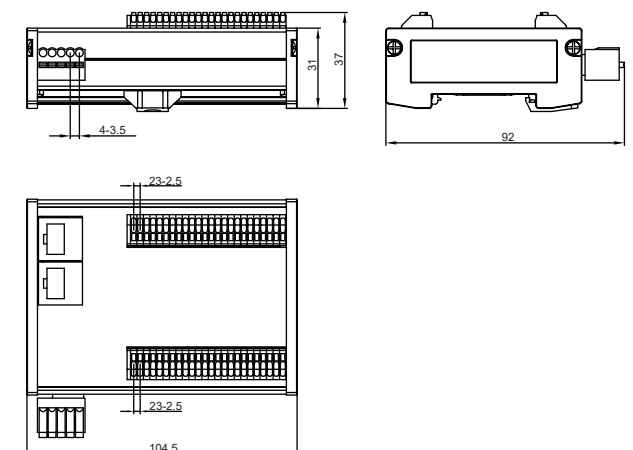
Terminal	V+	V+	PE	V-	V-
Description	+24V	+24V	PE	0V	0V

IO terminal

Terminal	+	+	+	+	-	-	-	-	1~16
Description	V _{sensor}	V _{sensor}	V _{sensor}	V _{sensor}	0V	0V	0V	0V	Input 1~16

Terminal	+	+	+	+	-	-	-	-	1~16
Description	AUX	AUX	AUX	AUX	0V	0V	0V	0V	Output 1~16

Dimension



- PROFINET Slave module
- 16 channel Digital Input,NPN;16 channel Digital Output,NPN,0.5A
- Support MRP, FSU
- 2xRJ45,Integrated Ethernet switch function
- Short-circuit\reverse polarity protection
- Compact Module
- IP20 Protection degree



GXPI20

Technical specification

Parameters	
Protocol	PROFINET(PROFINET RT)
Connection	2 x RJ45
Physical layer	Ethernet
Transmission rate	10/100Mbps
Addressing mode	DCP
MRP	Support
Diagnosis	According to PROFINET

Power Supply	
Connection	Terminal connection,max. 1.5 mm ²
Voltage supply	24VDC (18...30VDC)
Current without loads	80mA

Digital input	
Number of input	16
Connection	Terminal connection, max. 0.5 mm ²
Input type	NPN
Input diagnostic type	Short-circuit diagnostic
Switching threshold	EN 61131-2 Type 1/3
Switching frequency	250Hz

Digital Output	
Number of input	16
Connection	Terminal connection, max. 0.5 mm ²
Output type	NPN
Output diagnostic type	Group diagnosis
Output voltage	0V
Output current/channel	0.5A/ch
Load type	Resistive,inductive,lamp load

General Data	
Protection degree	IP20
Dimensions(H x W x D)	92 x 104.5 x 37mm
Installation method	Guide rail type
Operating temperature	0 ~ 55°C
Storage temperature	-20 ~ 70°C

LED-indication	
PWR	Green: OK
AUX	Green: Auxiliary power supply OK
MS	Green: Normal operation ; Red: Major fault
NS	Green: Online(RUN);Flashing green: Online(STOP)
	Red:Internal error
	Flashing red:Station name/IP address/Configuration error
LINK	Green: Link OK, no communication
	Flashing green:Link OK,communication established
	Off: No link
I/O	Green: Input or Output active

Order information	
Type	GXPI20-DI16DO16S-N
Protocol	PROFINET
Description	IP20 protection degree,Guide rail installation 0~55°C operating temperature

Power terminal

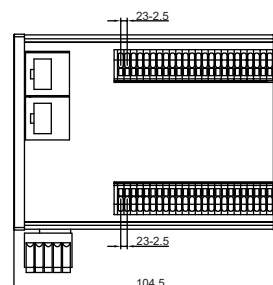
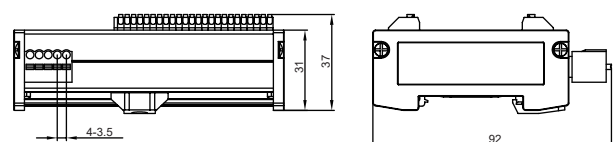
Terminal	V+	V+	PE	V-	V-
Description	+24V	+24V	PE	0V	0V

IO terminal

Terminal	+	+	+	+	-	-	-	-	1~16
Description	V _{sensor}	V _{sensor}	V _{sensor}	V _{sensor}	0V	0V	0V	0V	Input 1~16

Terminal	+	+	+	+	-	-	-	-	1~16
Description	AUX	AUX	AUX	AUX	0V	0V	0V	0V	Output 1~16

Dimension



GXPI20 PROFINET MODULE

- PROFINET Slave module
- 16 configurable Digital channels, PNP inputs/outputs 0.5 A
- Support MRP, FSU
- 2xRJ45, Integrated Ethernet switch function
- Short-circuit/reverse polarity protection
- Compact Module
- IP20 Protection degree



GXPI20

Technical specification

Parameters	
Protocol	PROFINET (PROFINET RT)
Connection	2 x RJ45
Physical layer	Ethernet
Transmission rate	10/100Mbps
Addressing mode	DCP
MRP	Support
Diagnosis	According to PROFINET

Power Supply	
Connection	Terminal connection, max. 1.5 mm ²
Voltage supply	24VDC (18...30VDC)
Current without loads	80mA

Digital input	
Number of input	0~16
Connection	Terminal connection, max. 0.5 mm ²
Input type	PNP
Input diagnostic type	Short-circuit diagnostic
Switching threshold	EN 61131-2 Type 1/3
Switching frequency	250Hz

Digital Output	
Number of input	0~16
Connection	Terminal connection, max. 0.5 mm ²
Output type	PNP
Output diagnostic type	Group diagnosis
Output voltage	24VDC
Output current/channel	0.5A/ch
Load type	Resistive, inductive, lamp load

General Data	
Protection degree	IP20
Dimensions (H x W x D)	92 x 104.5 x 37mm
Installation method	Guide rail type
Operating temperature	0 ~ 55°C
Storage temperature	-20 ~ 70°C

LED-indication	
PWR	Green: OK
AUX	Green: Auxiliary power supply OK
MS	Green: Normal operation ; Red: Major fault
NS	Green: Online (RUN); Flashing green: Online (STOP)
	Red: Internal error
	Flashing red: Station name/IP address/Configuration error
LINK	Green: Link OK, no communication
	Flashing green: Link OK, communication established
	Off: No link
I/O	Green: Input or Output active

Order information	
Type	GXPI20-DIO16S
Protocol	PROFINET
Description	IP20 protection degree, Guide rail installation 0~55°C operating temperature

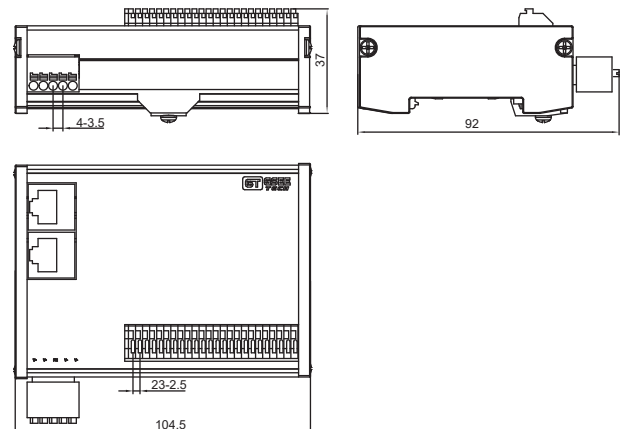
Power terminal

Terminal	V+	V+	PE	V-	V-
Description	+24V	+24V	PE	0V	0V

IO terminal

Terminal	+	+	+	+	-	-	-	-	1~16
Description	AUX	AUX	AUX	AUX	0V	0V	0V	0V	Input/Output 1~16

Dimension



- PROFINET Slave module
- 16 configurable Digital channels,NPN inputs/outputs 0.5 A
- Support MRP, FSU
- 2xRJ45,Integrated Ethernet switch function
- Short-circuit\reverse polarity protection
- Compact Module
- IP20 Protection degree



GXPI20

Technical specification

Parameters	
Protocol	PROFINET(PROFINET RT)
Connection	2 x RJ45
Physical layer	Ethernet
Transmission rate	10/100Mbps
Addressing mode	DCP
MRP	Support
Diagnosis	According to PROFINET

Order information	
Type	GXPI20-DIO16S-N
Protocol	PROFINET
Description	IP20 protection degree,Guide rail installation 0~55°C operating temperature

Power Supply	
Connection	Terminal connection,max. 1.5 mm ²
Voltage supply	24VDC (18...30VDC)
Current without loads	80mA

Power terminal

Terminal	V+	V+	PE	V-	V-
Description	+24V	+24V	PE	0V	0V

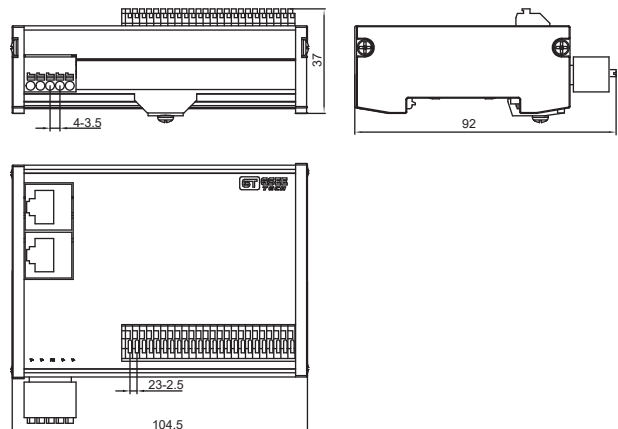
Digital input	
Number of input	0~16
Connection	Terminal connection, max. 0.5 mm ²
Input type	NPN
Input diagnostic type	Short-circuit diagnostic
Switching threshold	EN 61131-2 Type 1/3
Switching frequency	250Hz

IO terminal

Terminal	+	+	+	+	-	-	-	-	1~16
Description	AUX	AUX	AUX	AUX	0V	0V	0V	0V	Input/Output 1~16

Digital Output	
Number of input	0~16
Connection	Terminal connection, max. 0.5 mm ²
Output type	NPN
Output diagnostic type	Group diagnosis
Output voltage	0V
Output current/channel	0.5A/ch
Load type	Resistive,inductive,lamp load

Dimension



General Data	
Protection degree	IP20
Dimensions(H x W x D)	92 x 104.5 x 37mm
Installation method	Guide rail type
Operating temperature	0 ~ 55°C
Storage temperature	-20 ~ 70°C

LED-indication	
PWR	Green: OK
AUX	Green: Auxiliary power supply OK
MS	Green: Normal operation ; Red: Major fault
NS	Green: Online(RUN);Flashing green: Online(STOP)
	Red:Internal error
	Flashing red:Station name/IP address/Configuration error
LINK	Green: Link OK, no communication
	Flashing green:Link OK,communication established
	Off: No link
I/O	Green: Input or Output active

GXCL20 CC-LINK MODULE

- CC-LINK Slave module
- 32 channel Digital Input,PNP
- Open fieldbus
- Automatic refresh\reservation station\RAS function
- Compact Module
- IP20 Protection degree



GXCL20

Technical specification

Parameters	
Protocol	CC-LINK
Transmission rate	156Kbps~10Mbps
Communication distance	Max.1200m
Address range	1~64
Station type	Remote I/O station
Uccupy stations	1station
Station Address	Rotation switches

Power Supply	
Connection	Terminal connection,max. 1.5 mm ²
Voltage supply	24VDC (18...30VDC)
Current without loads	80mA

Digital input	
Number of input	32
Connection	Terminal connection, max. 0.5 mm ²
Input type	PNP
Input diagnostic type	Short-circuit diagnostic
Switching threshold	EN 61131-2 Type 1/3
Switching frequency	250Hz

General Data	
Protection degree	IP20
Dimensions(H x W x D)	75 x 124.5 x 49.6mm
Installation method	Guide rail type
Operating temperature	0 ~ 55°C
Storage temperature	-20 ~ 70°C

LED-indication	
PWR	Green: OK
	Red: UL failure
RUN	Green: Network connections are established
ERR	Red: Communication failure
I/O	Green: Input or output active
	Red: Fault

Order information	
Type	GXCL20-DI32S
Protocol	CC-LINK
Description	IP20 protection degree,Guide rail installation 0~55°C operating temperature

Power terminal

Terminal	V+	V+	PE	V-	V-
Description	+24V	+24V	PE	0V	0V

IO terminal

Terminal	+	+	+	+	-	-	-	-	1~16
Description	V _{sensor}	V _{sensor}	V _{sensor}	V _{sensor}	0V	0V	0V	0V	Input 1~16

Terminal	+	+	+	+	-	-	-	-	17~32
Description	V _{sensor}	V _{sensor}	V _{sensor}	V _{sensor}	0V	0V	0V	0V	Input 17~32

Communication terminal

Terminal	DA	DB	DG	SLD	FG
Descripting	A	B	COM	Shield	PE

Address setting

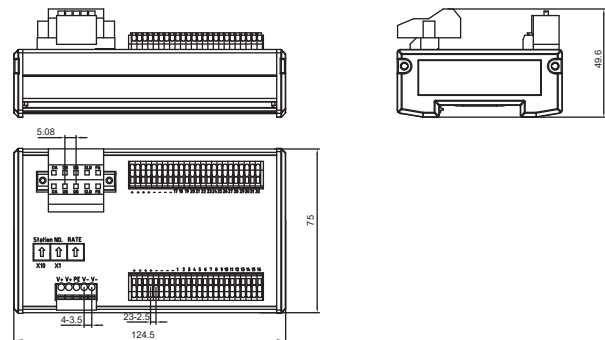
Address : 1 ... 64



Transmission rate



Dimension





- CC-LINK Slave module
- 32 channel Digital Input,NPN
- Open fieldbus
- Automatic refresh\reservation station\RAS function
- Compact Module
- IP20 Protection degree



GXCL20

Technical specification

Parameters	
Protocol	CC-LINK
Transmission rate	156Kbps~10Mbps
Communication distance	Max.1200m
Address range	1~64
Station type	Remote I/O station
Uccupy stations	1station
Station Address	Rotation switches

Power Supply	
Connection	Terminal connection,max. 1.5 mm ²
Voltage supply	24VDC (18...30VDC)
Current without loads	80mA

Digital input	
Number of input	32
Connection	Terminal connection, max. 0.5 mm ²
Input type	NPN
Input diagnostic type	Short-circuit diagnostic
Switching threshold	EN 61131-2 Type 1/3
Switching frequency	250Hz

General Data	
Protection degree	IP20
Dimensions(H x W x D)	75 x 124.5 x 49.6mm
Installation method	Guide rail type
Operating temperature	0 ~ 55°C
Storage temperature	-20 ~ 70°C

LED-indication	
PWR	Green: OK
	Red: UL failure
RUN	Green: Network connections are established
ERR	Red: Communication failure
I/O	Green: Input or output active
	Red: Fault

Order information	
Type	GXCL20-DI32S-N
Protocol	CC-LINK
Description	IP20 protection degree,Guide rail installation 0~55°C operating temperature

Power terminal

Terminal	V+	V+	PE	V-	V-
Description	+24V	+24V	PE	0V	0V

IO terminal

Terminal	+	+	+	+	-	-	-	-	1~16
Description	Vsensor	Vsensor	Vsensor	Vsensor	0V	0V	0V	0V	Input 1~16

Terminal	+	+	+	+	-	-	-	-	17~32
Description	Vsensor	Vsensor	Vsensor	Vsensor	0V	0V	0V	0V	Input 17~32

Communication terminal

Terminal	DA	DB	DG	SLD	FG
Descripting	A	B	COM	Shield	PE

Address setting

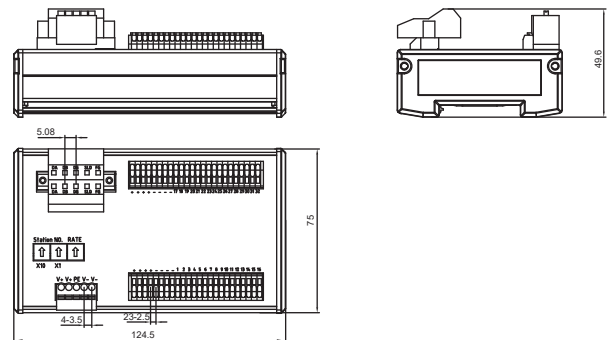
Address : 1 ... 64



Transmission rate



Dimension



GXCL20 CC-LINK MODULE



- CC-LINK Slave module
- 32 channel Digital Output,PNP,0.5A
- Open fieldbus
- Automatic refresh\reservation station\RAS function
- Compact Module
- IP20 Protection degree



GXCL20

Technical specification

Parameters	
Protocol	CC-LINK
Transmission rate	156Kbps~10Mbps
Communication distance	Max.1200m
Address range	1~64
Station type	Remote I/O station
Uccupy stations	1station
Station Address	Rotation switches
Power Supply	
Connection	Terminal connection,max. 1.5 mm ²
Voltage supply	24VDC (18...30VDC)
Current without loads	80mA
Digital Output	
Number of input	32
Connection	Terminal connection, max. 0.5 mm ²
Output type	PNP
Output diagnostic type	Group diagnosis
Output voltage	24VDC
Output current/channel	0.5A/ch
Load type	Resistive,inductive,lamp load
General Data	
Protection degree	IP20
Dimensions(H x W x D)	75 x 124.5 x 49.6mm
Installation method	Guide rail type
Operating temperature	0 ~ 55°C
Storage temperature	-20 ~ 70°C
LED-indication	
PWR	Green: OK Red: UL failure
RUN	Green: Network connections are established
ERR	Red: Communication failure
I/O	Green: Input or output active Red: Fault
Order information	
Type	GXCL20-DO32S
Protocol	CC-LINK
Description	IP20 protection degree,Guide rail installation 0~55°C operating temperature

Power terminal

Terminal	V+	V+	PE	V-	V-
Description	+24V	+24V	PE	0V	0V

IO terminal

Terminal	+	+	+	+	-	-	-	-	1~16
Description	AUX	AUX	AUX	AUX	0V	0V	0V	0V	Output 1~16

Terminal	+	+	+	+	-	-	-	-	17~32
Description	AUX	AUX	AUX	AUX	0V	0V	0V	0V	Output 17~32

Communication terminal

Terminal	DA	DB	DG	SLD	FG
Descripting	A	B	COM	Shield	PE

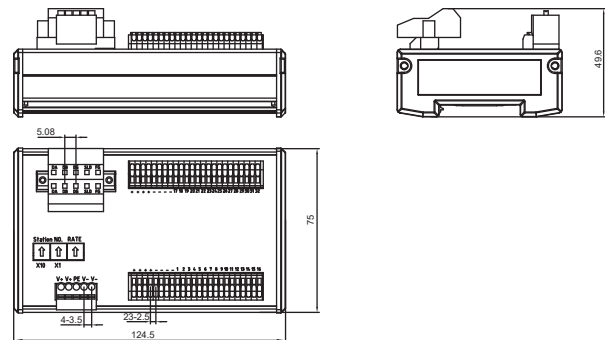
Address setting

Address : 1 ... 64

Transmission rate



Dimension





- CC-LINK Slave module
- 32 channel Digital Output,NPN,0.5A
- Open fieldbus
- Automatic refresh\reservation station\RAS function
- Compact Module
- IP20 Protection degree



GXCL20

Technical specification

Parameters	
Protocol	CC-LINK
Transmission rate	156Kbps~10Mbps
Communication distance	Max.1200m
Address range	1~64
Station type	Remote I/O station
Uccupy stations	1station
Station Address	Rotation switches

Power Supply	
Connection	Terminal connection,max. 1.5 mm ²
Voltage supply	24VDC (18...30VDC)
Current without loads	80mA

Digital Output	
Number of input	32
Connection	Terminal connection, max. 0.5 mm ²
Output type	NPN
Output diagnostic type	Group diagnosis
Output voltage	0V
Output current/channel	0.5A/ch
Load type	Resistive,inductive,lamp load

General Data	
Protection degree	IP20
Dimensions(H x W x D)	75 x 124.5 x 49.6mm
Installation method	Guide rail type
Operating temperature	0 ~ 55°C
Storage temperature	-20 ~ 70°C

LED-indication	
PWR	Green: OK
	Red: UL failure
RUN	Green: Network connections are established
ERR	Red: Communication failure
I/O	Green: Input or output active
	Red: Fault

Order information	
Type	GXCL20-DO32S-N
Protocol	CC-LINK
Description	IP20 protection degree,Guide rail installation 0~55°C operating temperature

Power terminal

Terminal	V+	V+	PE	V-	V-
Description	+24V	+24V	PE	0V	0V

IO terminal

Terminal	+	+	+	+	-	-	-	-	1~16
Description	AUX	AUX	AUX	AUX	0V	0V	0V	0V	Output 1~16

Terminal	+	+	+	+	-	-	-	-	17~32
Description	AUX	AUX	AUX	AUX	0V	0V	0V	0V	Output 17~32

Communication terminal

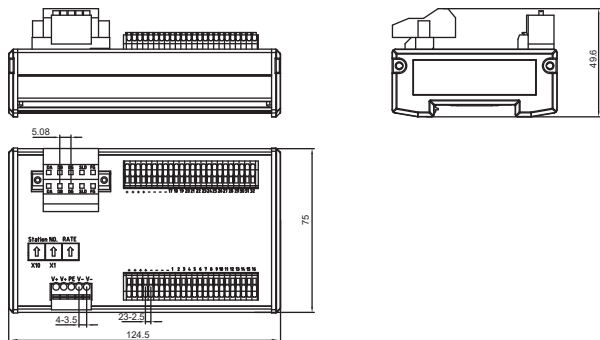
Terminal	DA	DB	DG	SLD	FG
Descripting	A	B	COM	Shield	PE

Address setting

Address : 1 ... 64 Transmission rate



Dimension



GXCL20 CC-LINK MODULE



- CC-LINK Slave module
- 16 channel Digital Input,PNP;16 channel Digital Output,PNP,0.5A
- Open fieldbus
- Automatic refresh\reservation station\RAS function
- Compact Module
- IP20 Protection degree



GXCL20

Technical specification

Parameters	
Protocol	CC-LINK
Transmission rate	156Kbps~10Mbps
Communication distance	Max.1200m
Address range	1~64
Station type	Remote I/O station
Uccupy stations	1station
Station Address	Rotation switches

Power Supply	
Connection	Terminal connection,max. 1.5 mm ²
Voltage supply	24VDC (18...30VDC)
Current without loads	80mA

Digital input	
Number of input	16
Connection	Terminal connection, max. 0.5 mm ²
Input type	PNP
Input diagnostic type	Short-circuit diagnostic
Switching threshold	EN 61131-2 Type 1/3
Switching frequency	250Hz

Digital Output	
Number of input	16
Connection	Terminal connection, max. 0.5 mm ²
Output type	PNP
Output diagnostic type	Group diagnosis
Output voltage	24VDC
Output current/channel	0.5A/ch
Load type	Resistive,inductive,lamp load

General Data	
Protection degree	IP20
Dimensions(H x W x D)	75 x 124.5 x 49.6mm
Installation method	Guide rail type
Operating temperature	0 ~ 55°C
Storage temperature	-20 ~ 70°C

LED-indication	
PWR	Green: OK Red: UL failure
RUN	Green: Network connections are established
ERR	Red: Communication failure
I/O	Green: Input or output active Red: Fault

Order information	
Type	GXCL20-DI16DO16S
Protocol	CC-LINK
Description	IP20 protection degree,Guide rail installation 0~55°C operating temperature

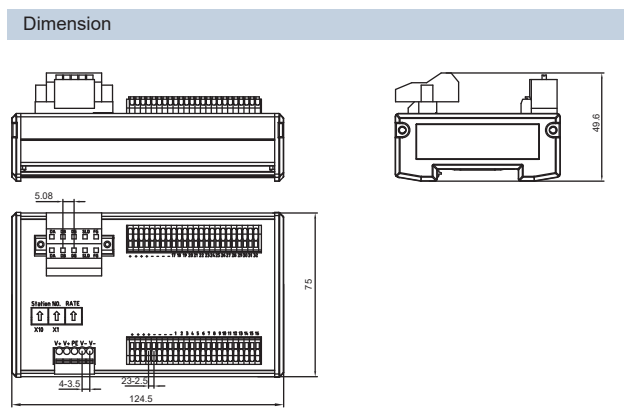
Power terminal					
Terminal	V+	V+	PE	V-	V-
Description	+24V	+24V	PE	0V	0V

IO terminal									
Terminal	+	+	+	+	-	-	-	-	1~16
Description	V _{sensor}	V _{sensor}	V _{sensor}	V _{sensor}	0V	0V	0V	0V	Input 1~16
Terminal	+	+	+	+	-	-	-	-	1~16
Description	AUX	AUX	AUX	AUX	0V	0V	0V	0V	Output 1~16

Communication terminal					
Terminal	DA	DB	DG	SLD	FG
Descripting	A	B	COM	Shield	PE

Address setting

Address : 1 ... 64 Transmission rate





- CC-LINK Slave module
- 16 channel Digital Input,PNP;16 channel Digital Output,PNP,0.5A
- Open fieldbus
- Automatic refresh\reservation station\RAS function
- Compact Module
- IP20 Protection degree



GXCL20

Technical specification

Parameters	
Protocol	CC-LINK
Transmission rate	156Kbps~10Mbps
Communication distance	Max.1200m
Address range	1~64
Station type	Remote I/O station
Uccupy stations	1station
Station Address	Rotation switches

Power Supply	
Connection	Terminal connection,max. 1.5 mm ²
Voltage supply	24VDC (18...30VDC)
Current without loads	80mA

Digital input	
Number of input	16
Connection	Terminal connection, max. 0.5 mm ²
Input type	NPN
Input diagnostic type	Short-circuit diagnostic
Switching threshold	EN 61131-2 Type 1/3
Switching frequency	250Hz

Digital Output	
Number of input	16
Connection	Terminal connection, max. 0.5 mm ²
Output type	NPN
Output diagnostic type	Group diagnosis
Output voltage	0V
Output current/channel	0.5A/ch
Load type	Resistive,inductive,lamp load

General Data	
Protection degree	IP20
Dimensions(H x W x D)	75 x 124.5 x 49.6mm
Installation method	Guide rail type
Operating temperature	0 ~ 55°C
Storage temperature	-20 ~ 70°C

LED-indication	
PWR	Green: OK Red: UL failure
RUN	Green: Network connections are established
ERR	Red: Communication failure
I/O	Green: Input or output active Red: Fault

Order information	
Type	GXCL20-DI16DO16S-N
Protocol	CC-LINK
Description	IP20 protection degree,Guide rail installation 0~55°C operating temperature

Power terminal					
Terminal	V+	V+	PE	V-	V-
Description	+24V	+24V	PE	0V	0V

IO terminal									
Terminal	+	+	+	+	-	-	-	-	1~16
Description	V _{sensor}	V _{sensor}	V _{sensor}	V _{sensor}	0V	0V	0V	0V	Input 1~16
Terminal	+	+	+	+	-	-	-	-	1~16
Description	AUX	AUX	AUX	AUX	0V	0V	0V	0V	Output 1~16

Communication terminal					
Terminal	DA	DB	DG	SLD	FG
Descripting	A	B	COM	Shield	PE

Address setting

Address : 1 ... 64 Transmission rate

